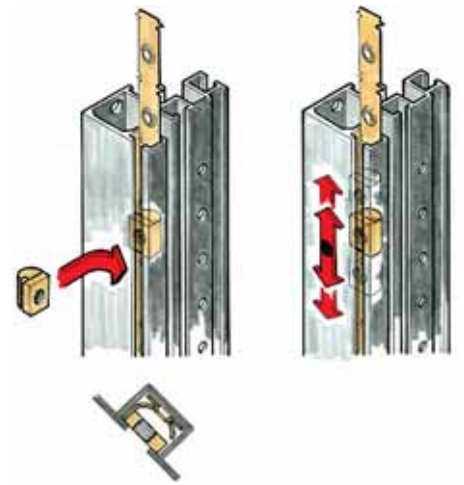


Knürr Miracel®

Knürr Miracel®

19" Rack for
Network Applications 1





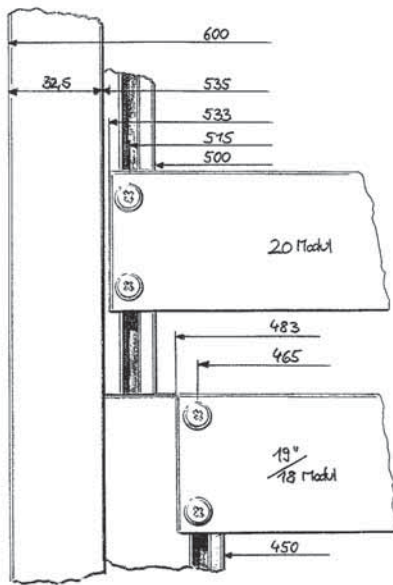
1 MIR00139



3 TEC00028



**Knürr Miracel®
Strong points**



2 MIR20122

1 Modular construction
Easy mounting, including all non-standard components – variable and in integrated 19" or 25 mm increments.

2 Forward-thinking
Security for the future and flexibility with integration of 19" and metric technology.

3 Expandable at all times
System expansions can be easily implemented while maintaining the IP protection rating.

4 Cable management
Guaranteed orderly and space-saving cable management. Adjustment to installation site, cable management can be selected from extensive range of accessory components.

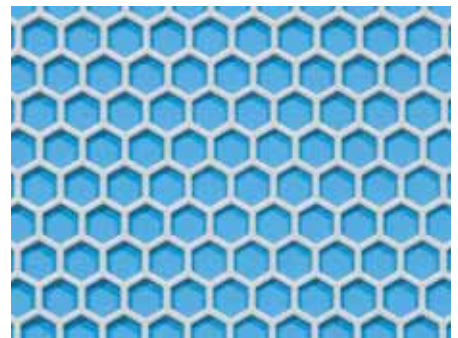
5 Flexible ventilation components
The correct ventilation solution is always provided by the corresponding selection of accessory components. This allows the air-flow to be specially adapted to the built-in components. Through the perforated bottom covers, top covers and doors, for example.



4 MEC20084



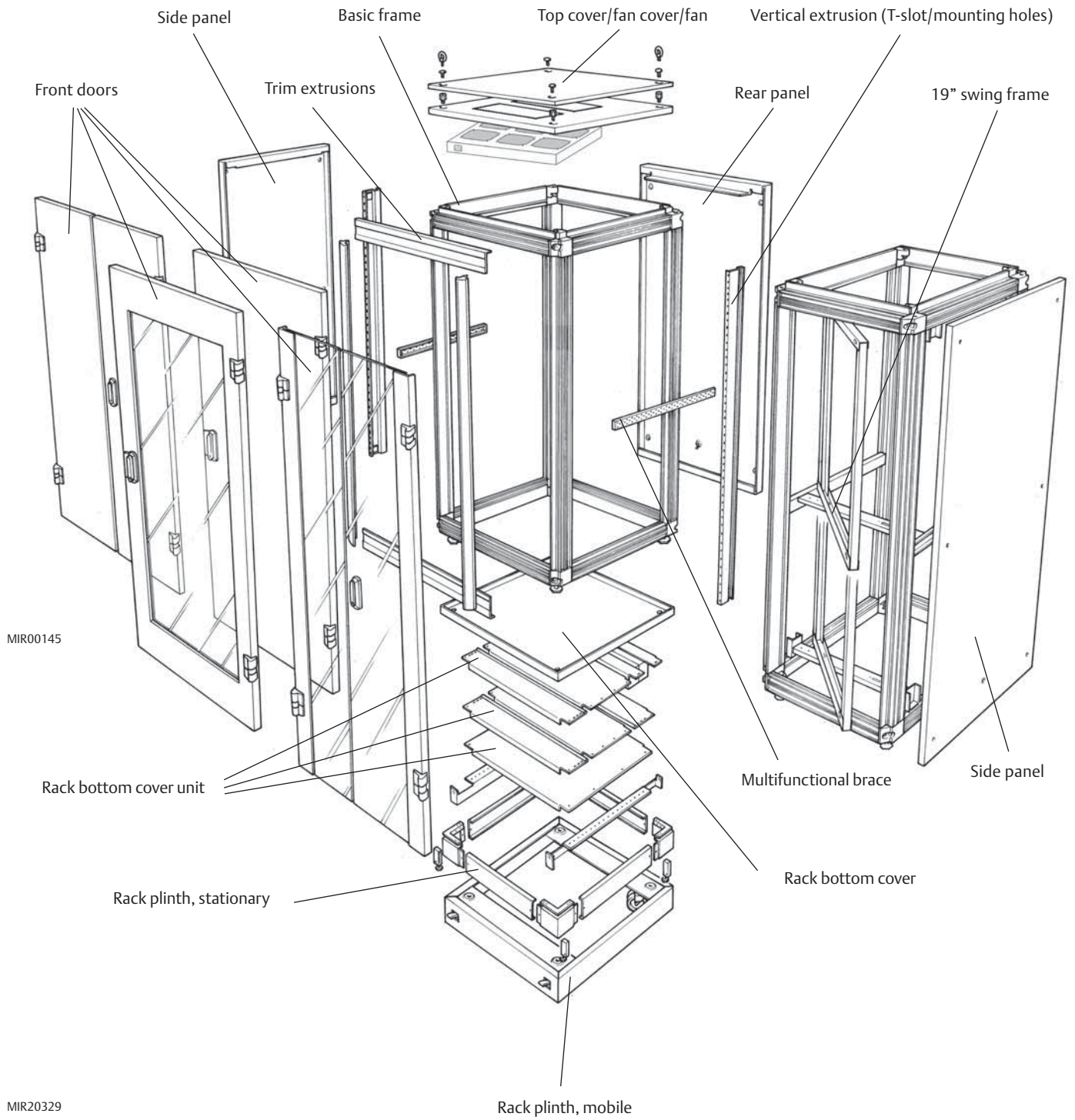
4 MIR00143

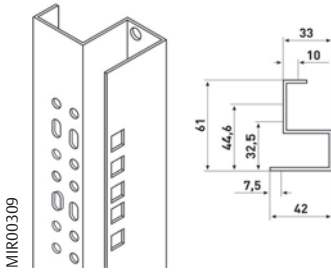


5 MIR20265

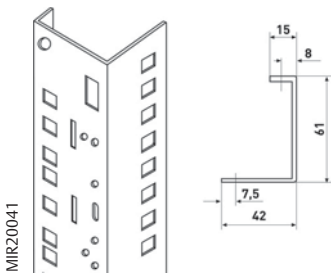


5 LUF20124

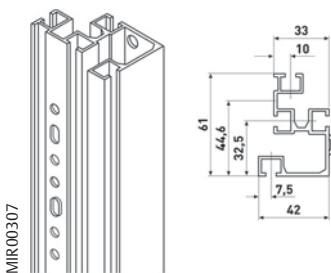




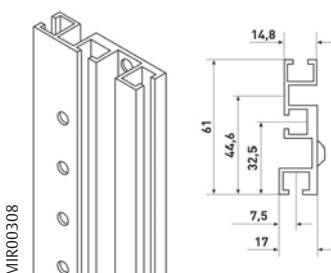
Vertical extrusion with mounting holes, steel for 19" racks



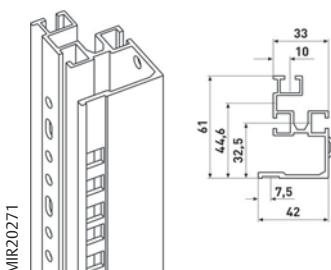
19" server extrusion



Vertical extrusion with T-slot, aluminum for 19" construction



Vertical extrusion with T-slot, aluminum for metric construction, 20 module



Vertical extrusion with mounting holes, aluminum for 19" racks

Knürr Miracel® 19" Rack Technical data

Material

- Extruded aluminum
- Corner piece, die-cast aluminum
- Covers, sheet steel, zinc-passivated
- Doors: sheet steel or with single safety glass panel, opening angle, over 180°

Installation dimensions in acc. with IEC 297-3 and IEC 917

- Height: 23 U / 37 U / 41 U / 46 U (1 U = 44,45 mm) 66 module / 74 module / 82 module (1 module = 25 mm)
- Width: 482.6 mm (19" structure) 535 mm (20" module structure)

Space solution

- 82% of the basic surface can be used as space for installation and cable routing
- Front jumpering space, 123 mm or 73 mm
- Door opening angle, 180°

Configurations

- Stationary, on leveling feet
- Stationary with plinth
- Mobile with plinth and snib

Finish / Color

- Basic rack, polished
- Optional: Door trim, black, RAL 9011
- Visible surface of covers, powder-coated, dark gray RAL 7021 or dark gray RAL 7021

Static load rating

- 5,000 N with stationary version
- 3,000 N with mobile plinth

Heat dissipation

- Power loss with:
- Closed top cover, up to 500 W
 - Vent lid, up to 700 W

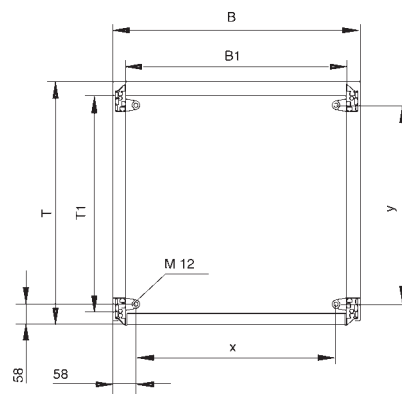
Tests according to version

- Vibration test in acc. with MIL-STD 810 E
- IP test in acc. with IEC 529
- UL test 1244
- NEMA 12 Standard
- EMC shielding attenuation in acc. with MIL-STD 285 (10 MHz - 30 MHz) and VG 95 373 Part 15 (30 MHz-1GHz)
- Vibration and shock test in acc. with ETS 300 019
- Seismic test, Bellcore (NEBS) TR-NWT 000063 Zone 4
- Earthing, VDE 0 100 T 540

Further standards and tests on request.

Rack suites

- To create a rack suite with "n" racks, you require:
- n-1 racks without side panels and 1 rack with side panels
 - In a rack suite, per connection you require one set of rack connectors



MIR00332

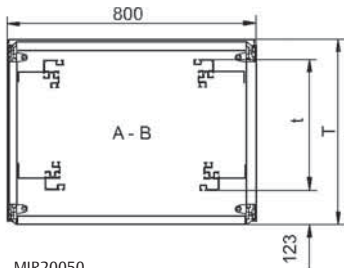
W [mm]	W1 [mm]	X [mm]
600	535	485
700	635	585
800	735	685
900	835	785

D [mm]	D1 [mm]	Y [mm]
600	530	485
800	730	685
900	830	785
1000	930	885
1200	1130	1085

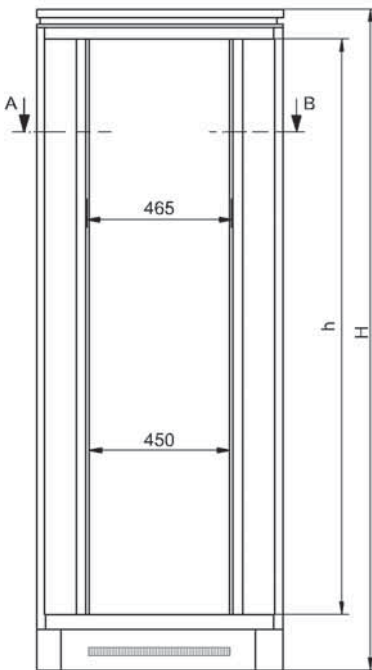


MIR20301

Auch in RAL 7021 Schwarzgrau



MIR20050



MIR20050

Dimensions in mm: W = Width, H = Height, D = Depth, h = installation height, d = useful depth, L = length, U = standard height unit, 1 U = 44.45 mm, UP = unit of packaging, kg = weight,  = Express item

Conversion: 1 mm = 0.03937 inch, 1 kg = 2.2046 pound

Knürr Miracel® 19" Distribution Rack NS 25 Width 800, front glass door, T-slot extrusions

- With fixed 19" installation on the front and rear for components in accordance with IEC297-3
- Installation of chassis runners and 19" shelves possible
- Flexible assembly of the built-in units with T-slot
- Cable entry via plinth and top cover
- Cable entry on the top cover, can be completely removed at the rear, allowing top cover removal and replacement after cabling
- Dissipated heat discharge via raised fan roof.
- Top cover prepared for upgrading with CoolBlast® range fan units. This enables flexible adjustments to customer requirements.
- Door opening angle, 180°

■ Jumpering space

At the front: 123 mm

■ Load rating

5000 N static

■ Protection rating

IP 40

■ Tests

- Earthing in acc. with VDE 0100 T 540
- Vibration test in acc. with MIL-STD 810 E
- IP test in acc. with DIN 40 050 / IEC 529

■ Material / Finish

- Basic rack, extruded aluminum, polished
- Corner piece, die-cast aluminum, polished
- Doors, sheet steel, powder-coated texture
- Covers, zinc-passivated sheet steel, powder-coated texture

- Glass infill front door, single safety glass panel, 4 mm
- Multifunctional braces, sheet steel, zinc-plated

■ Color

- Final digit of order number .1:
Visible surface of the cover RAL 7035 light gray
- Final digit of order number .8:
Visible surfaces of the covers, RAL 7021 dark gray

■ Supply schedule

- 1 basic frame
- 4" aluminum vertical extrusions with T-slot and increment slide for spring nut M5
- 2 multifunctional braces for cable clamping and universal mounting options
- 2 side panels with quick connectors
- 1 top cover with cable entry (three-piece sliding plates, can also be opened completely), prepared for upgrading CoolBlast® fan units
- 1 front door, single, single safety glass panel, with handle and mounting for cylinder lock
- 1 rear door, single, sheet steel, with handle and mounting for cylinder lock
- 1 plinth for cable management on the side and rear with leveling feet (0-25 mm)
- 2 plinth panels for front and rear, with vent slots and fixing for filter mat
- 2 plinth trims, closed
- 1 complete earthing set (VDE 0100)

■ How supplied

Assembled

W	H	D	U	h	d	kg	Model	Order no.	UP
800	2120	600	41	1852	365	112	With side panels/RAL 7035	01.136.044.1	1 unit
800	2120	600	41	1852	365	112	With side panels/RAL 7021	01.136.044.8	1 unit
800	2120	800	41	1852	565	120	With side panels/RAL 7035	01.136.050.1 	1 unit
800	2120	800	41	1852	565	120	With side panels/RAL 7021	01.136.050.8	1 unit
800	2320	800	46	2052	565	130	With side panels/RAL 7035	01.136.051.1 	1 unit
800	2320	800	46	2052	565	130	With side panels/RAL 7021	01.136.051.8	1 unit
800	2120	900	41	1852	665	124	With side panels/RAL 7035	01.136.056.1 	1 unit
800	2120	900	41	1852	665	124	With side panels/RAL 7021	01.136.056.8	1 unit
800	2320	900	46	2052	665	134	With side panels/RAL 7035	01.136.057.1	1 unit
800	2320	900	46	2052	665	134	With side panels/RAL 7021	01.136.057.8	1 unit
800	2120	1000	41	1852	740	140	With side panels/RAL 7035	01.127.970.1 	1 unit
800	2120	1000	41	1852	740	140	With side panels/RAL 7021	01.127.970.8	1 unit
800	2320	1000	46	1852	740	140	With side panels/RAL 7035	01.127.971.1	1 unit
800	2320	1000	46	1852	740	140	With side panels/RAL 7021	01.127.971.8	1 unit
800	2120	600	41	1852	365	103	No side panels/RAL 7035	01.136.244.1	1 unit
800	2120	600	41	1852	365	103	No side panels/RAL 7021	01.136.244.8	1 unit
800	2120	800	41	1852	565	109	No side panels/RAL 7035	01.136.250.1	1 unit
800	2120	800	41	1852	565	109	No side panels/RAL 7021	01.136.250.8	1 unit
800	2120	900	41	1852	665	118	No side panels/RAL 7035	01.136.256.1	1 unit
800	2120	900	41	1852	665	118	No side panels/RAL 7021	01.136.256.8	1 unit
800	2120	1000	41	1852	740	128	No side panels/RAL 7035	01.127.975.1	1 unit
800	2120	1000	41	1852	740	128	No side panels/RAL 7021	01.127.975.8	1 unit



MIR20301

Knürr Miracel® 19" Distribution Rack NS 25
Width 800, front glass door, 19" mounting hole extrusions

- With fixed 19" installation on the front and rear for components in accordance with IEC297-3
- Installation of slot-in runners and 19" shelves possible
- Cable entry via plinth and top cover
- Cable entry on the top cover, can be completely removed at the rear, allowing top cover removal and replacement after cabling
- Dissipated heat discharge via raised fan roof.
- Top cover prepared for upgrading with CoolBlast® range fan units. This enables flexible adjustments to customer requirements.
- Door opening angle, 180°

■ Jumping space

At the front: 123 mm

■ Load rating

5000 N static

■ Protection rating

IP 40

■ Tests

- Earthing in acc. with VDE 0100 T 540
- Vibration test in acc. with MIL-STD 810 E
- IP test in acc. with DIN 40 050 / IEC 529

■ Material / Finish

- Basic rack, extruded aluminum, polished
- Corner piece, die-cast aluminum, polished
- Doors, sheet steel, powder-coated texture
- Covers, zinc-passivated sheet steel, powder-coated texture
- Glass infill front door, single safety glass panel, 4 mm
- Multifunctional braces, sheet steel, zinc-plated

■ Color

Final digit of order number .1:

Visible surface of the cover RAL 7035 light gray

Final digit of order number .8:

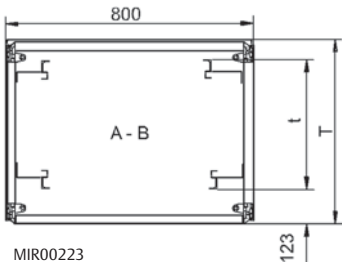
Visible surfaces of the covers, RAL 7021 dark gray

■ Supply schedule

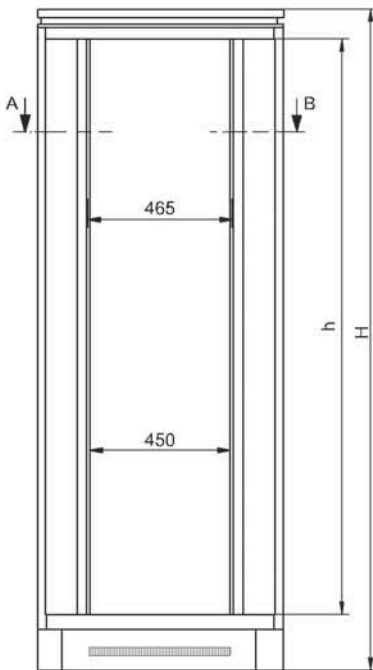
- 1 basic frame
- 4 19" vertical extrusions, sheet steel with mounting holes
- 2 multifunctional braces for cable clamping and universal mounting options
- 2 side panels with quick connectors
- 1 top cover with cable entry (three-piece sliding plates, can also be opened completely), prepared for upgrading CoolBlast® fan units
- 1 front door, single, single safety glass panel, with handle and mounting for cylinder lock
- 1 rear door, single, sheet steel, with handle and mounting for cylinder lock
- 1 plinth for cable management on the side and rear with leveling feet (0-25 mm)
- 2 plinth panels for front and rear, with vent slots and fixing for filter mat
- 2 plinth trims, closed
- 1 complete earthing test (VDE 0100)

■ How supplied

Assembled



MIR00223



MIR20050

Dimensions in mm: W = Width, H = Height, D = Depth, h = installation height, d = useful depth, L = length, U = standard height unit, 1 U = 44.45 mm, UP = unit of packaging, kg = weight, = Express item

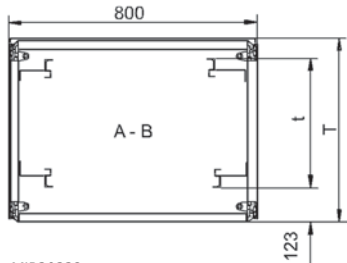
Conversion: 1 mm = 0.03937 inch, 1 kg = 2.2046 pound

W	H	D	U	h	d	kg	Model	Order no.	UP
800	2120	600	41	1852	365	112	With side panels/RAL 7035	01.133.040.1	1 unit
800	2120	600	41	1852	365	112	With side panels/RAL 7021	01.133.040.8	1 unit
800	2120	800	41	1852	565	120	With side panels/RAL 7035	01.133.041.1	1 unit
800	2120	800	41	1852	565	120	With side panels/RAL 7021	01.133.041.8	1 unit
800	2320	800	46	2052	565	130	With side panels/RAL 7035	01.133.042.1	1 unit
800	2320	800	46	2052	565	130	With side panels/RAL 7021	01.133.042.8	1 unit
800	2120	900	41	1852	665	124	With side panels/RAL 7035	01.133.043.1	1 unit
800	2120	900	41	1852	665	124	With side panels/RAL 7021	01.133.043.8	1 unit
800	2320	900	46	2052	665	134	With side panels/RAL 7035	01.133.044.1	1 unit
800	2320	900	46	2052	665	134	With side panels/RAL 7021	01.133.044.8	1 unit
800	2120	1000	41	1852	740	140	With side panels/RAL 7035	01.133.045.1	1 unit
800	2120	1000	41	1852	740	140	With side panels/RAL 7021	01.133.045.8	1 unit
800	2120	600	41	1852	365	103	With side panels/RAL 7035	01.133.046.1	1 unit
800	2120	600	41	1852	365	103	With side panels/RAL 7021	01.133.046.8	1 unit
800	2120	800	41	1852	565	109	No side panels/RAL 7035	01.133.047.1	1 unit
800	2120	800	41	1852	565	109	No side panels/RAL 7021	01.133.047.8	1 unit
800	2120	900	41	1852	665	118	No side panels/RAL 7035	01.133.048.1	1 unit
800	2120	900	41	1852	665	118	No side panels/RAL 7021	01.133.048.8	1 unit
800	2120	1000	41	1852	740	128	No side panels/RAL 7035	01.133.049.1	1 unit
800	2120	1000	41	1852	740	128	No side panels/RAL 7021	01.133.049.8	1 unit

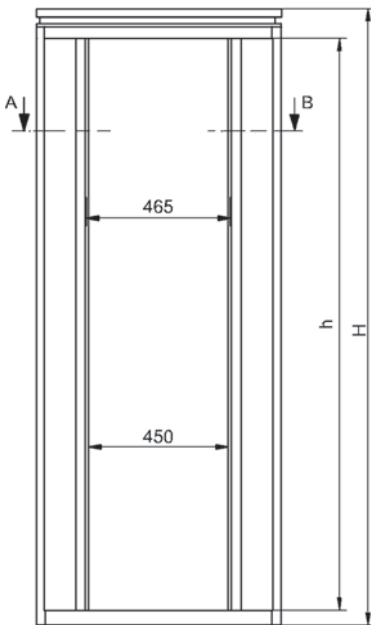


MIR20302

Auch in RAL 7021
Schwarzgrau



MIR20223



MIR20223

Knürr Miracel® 19" Distribution Rack NS 26 Width 800, front glass door, mounting hole extrusions

- With fixed 19" installation on the front and rear for components in accordance with IEC297-3
- Installation of chassis runners and 19" shelves possible
- Top cover prepared for upgrading with CoolBlast® range fan units. This enables flexible adjustments to customer requirements.
- Door opening angle, 180°

■ **Jumpering space**
At the front: 123 mm

■ **Load rating**
5000 N static

■ **Protection rating**
IP 40

- **Tests**
- Earthing in acc. with VDE 0100 T 540
 - IP test in acc. with DIN 40 050 / IEC 529

- **Material / Finish**
- Basic rack, extruded aluminum, polished
 - Corner piece, die-cast aluminum, polished
 - Covers, zinc-passivated sheet steel, powder-coated texture
 - Doors, sheet steel, powder-coated texture, glass infill, front door, single safety glass panel, 4 mm
 - Multifunctional braces and 19" extrusions, sheet steel, zinc-passivated

- **Color**
- Final digit of order number .1:
Visible surface of the cover RAL 7035 light gray
- Final digit of order number .8:
Visible surfaces of the covers, RAL 7021 dark gray

- **Supply schedule**
- 1 basic frame
 - 4 19" vertical extrusions, sheet steel with mounting holes
 - 2 multifunctional braces for cable clamping and universal mounting options
 - 2 side panels with quick connectors
 - 1 raised top cover with cable entry (three-piece sliding plates, can also be opened completely), prepared for upgrading CoolBlast® fan units
 - 1 front door, single, single safety glass panel, with handle and mounting for cylinder lock
 - 1 rear door, single, sheet steel, with handle and mounting for cylinder lock
 - 1 complete earthing set (VDE 0100)
 - 4 leveling feet


■ **How supplied**
Assembled

- **Note**
- Not available with double doors
 - Not available with bottom covers

W	H	D	U	h	d	kg	Model	Order no.	UP
800	2000	600	42	1900	365	108	With side panels/RAL 7035	01.136.274.1	1 unit
800	2000	600	42	1900	365	108	With side panels/RAL 7021	01.136.274.8	1 unit
800	2000	800	42	1900	565	116	With side panels/RAL 7035	01.136.280.1	1 unit
800	2000	800	42	1900	565	116	With side panels/RAL 7021	01.136.280.8	1 unit
800	2200	800	47	2100	565	126	With side panels/RAL 7035	01.136.281.1	1 unit
800	2200	800	47	2100	565	126	With side panels/RAL 7021	01.136.281.8	1 unit
800	2000	900	42	1900	665	120	With side panels/RAL 7035	01.136.286.1	1 unit
800	2000	900	42	1900	665	120	With side panels/RAL 7021	01.136.286.8	1 unit
800	2200	900	47	2100	665	120	With side panels/RAL 7035	01.136.287.1	1 unit
800	2200	900	47	2100	665	120	With side panels/RAL 7021	01.136.287.8	1 unit
800	2000	600	42	1900	365	799	No side panels/RAL 7035	01.136.300.1	1 unit
800	2000	600	42	1900	365	799	No side panels/RAL 7021	01.136.300.8	1 unit
800	2000	800	42	1900	565	105	No side panels/RAL 7035	01.136.306.1	1 unit
800	2000	800	42	1900	565	105	No side panels/RAL 7021	01.136.306.8	1 unit
800	2000	900	42	1900	665	116	No side panels/RAL 7035	01.136.312.1	1 unit
800	2000	900	42	1900	665	116	No side panels/RAL 7021	01.136.312.8	1 unit

Dimensions in mm: W = Width
H = Height
D = Depth
h = installation height
d = useful depth
L = length

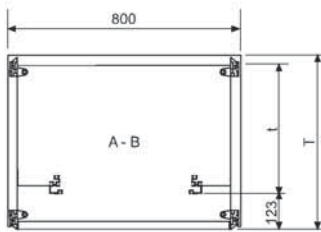
U = standard height unit
1 U = 44.45 mm
UP = unit of packaging
kg = weight

 = Express item

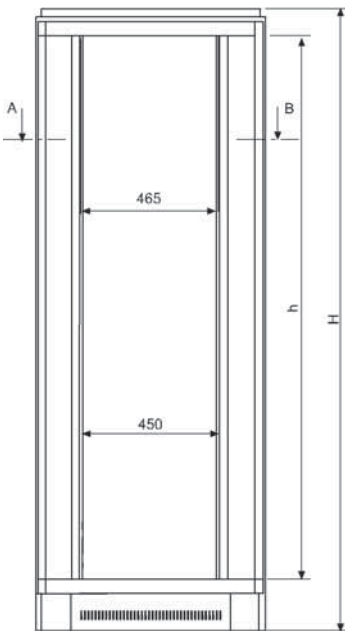
Conversion: 1 mm = 0.03937 inch 1 kg = 2.2046 pound



MIR20303



MIR00607



MIR00607

Knürr Miracel® 19" Distribution Rack, NS 19.8 Width 800, front glass door

- With fixed 19" installation on the front for components in acc. with IEC 297-3
- Flexible assembly of the built-in units with T-slot
- Cable entry via plinth and top cover
- Cable entry on the top cover, can be completely removed at the rear, allowing top cover removal and replacement after cabling
- Dissipated heat discharge via raised fan roof
- Top cover prepared for upgrading with CoolBlast® range fan units. This enables flexible adjustments to customer requirements.
- Door opening angle, 180°

Jumping space
At the front: 123 mm

Load rating
5000 N static

Protection rating
IP 40

- Tests**
- Earthing in acc. with VDE 0100 T 540
 - Vibration test in acc. with MIL-STD 810 E
 - IP test in acc. with DIN 40 050 / IEC 529

- Material / Finish**
- Basic rack, extruded aluminum, polished
 - Corner piece, die-cast aluminum, polished
 - Covers, zinc-passivated sheet steel, powder-coated texture
 - Doors, sheet steel, powder-coated texture, glass infill, front door, single safety glass panel, 4 mm
 - Multifunctional braces, sheet steel, zinc-plated

Color
Visible surface of covers
RAL 7035 light gray

- Supply schedule**
- 1 basic frame
 - 2 19" aluminum vertical extrusions with T-slot and increment slide for spring nut M5
 - 2 multifunctional braces for cable clamping and universal mounting options
 - 1 raised top cover with cable entry (three-piece sliding plates, can also be opened completely), prepared for upgrading CoolBlast® fan units
 - 1 front door, single or double, single safety glass panel, with handle and mounting for cylinder lock
 - 1 rear door, single or double, sheet steel, with handle and mounting for cylinder lock
 - 2 side panels with quick connectors (according to model)
 - 1 plinth for cable management on the side and rear with leveling feet (0-25 mm)
 - 2 side plinth panels, closed (according to model)
 - 2 plinth panels for front and rear, with vent slots and fixing for filter mat
 - 1 complete earthing set (VDE 0100)

How supplied
Assembled

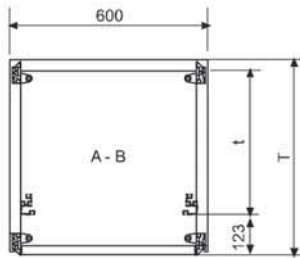
W	H	D	U	h	d	kg	Model	Order no.	UP
800	1320	600	23	1052	435	78	Glass door, side panel	01.135.001.1	1 unit
800	1920	600	37	1652	435	103	Glass door, side panel	01.135.003.1	1 unit
800	2120	600	41	1852	435	112	Glass door, side panel	01.135.004.1	1 unit
800	2320	600	46	2052	435	121	Glass door, side panel	01.135.005.1	1 unit
800	1320	800	23	1052	635	80	Glass door, side panel	01.135.019.1	1 unit
800	1920	800	37	1652	635	111	Glass door, side panel	01.135.021.1	1 unit
800	2120	800	41	1852	635	120	Glass door, side panel	01.135.022.1	1 unit
800	2320	800	46	2052	635	129	Glass door, side panel	01.135.023.1	1 unit
800	1320	600	23	1052	435	70	Glass door, no side panel	01.135.007.1	1 unit
800	1920	600	37	1652	435	95	Glass door, no side panel	01.135.009.1	1 unit
800	2120	600	41	1852	435	103	Glass door, no side panel	01.135.010.1	1 unit
800	2320	600	46	2052	435	112	Glass door, no side panel	01.135.011.1	1 unit
800	1320	800	23	1052	635	73	Glass door, no side panel	01.135.025.1	1 unit
800	1920	800	37	1652	635	101	Glass door, no side panel	01.135.027.1	1 unit
800	2120	800	41	1852	635	109	Glass door, no side panel	01.135.028.1	1 unit
800	2320	800	46	2052	635	118	Glass door, no side panel	01.135.029.1	1 unit
800	1320	800	23	1052	635	80	Double glass door, side panel	01.135.037.1	1 unit
800	1920	800	37	1652	635	111	Double glass door, side panel	01.135.039.1	1 unit
800	2120	800	41	1852	635	120	Double glass door, side panel	01.135.040.1	1 unit
800	2320	800	46	2052	635	121	Double glass door, side panel	01.135.041.1	1 unit
800	1320	800	23	1052	635	73	Double glass door, no side panel	01.135.043.1	1 unit
800	1920	800	37	1652	635	101	Double glass door, no side panel	01.135.045.1	1 unit
800	2120	800	41	1852	635	109	Double glass door, no side panel	01.135.046.1	1 unit
800	2320	800	46	2052	635	118	Double glass door, no side panel	01.135.047.1	1 unit

Dimensions in mm: W = Width, H = Height, D = Depth, h = installation height, d = useful depth, L = length, U = standard height unit (1 U = 44.45 mm), UP = unit of packaging, kg = weight, = Express item

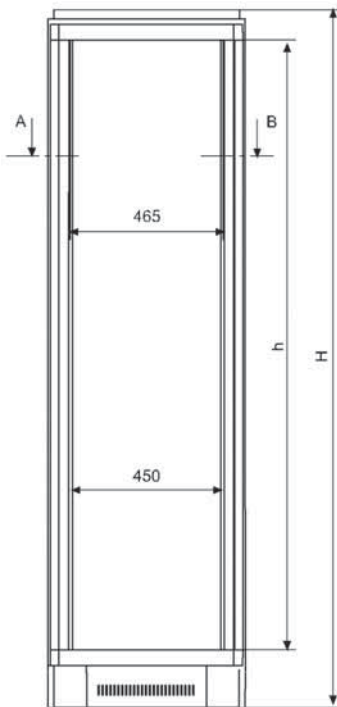
Conversion: 1 mm = 0.03937 inch, 1 kg = 2.2046 pound



MIR20304



MIR00056



MIR00031

Knürr Miracel® 19" Distribution Rack NS 19.6 Width 600, front glass door

- With fixed 19" installation on the front for components in acc. with IEC 297-3
- Flexible assembly of the built-in units with T-slot
- Cable entry via plinth and top cover
- Cable entry on the top cover, can be completely removed at the rear, allowing top cover removal and replacement after cabling
- Dissipated heat discharge via raised fan roof.
- Top cover prepared for upgrading with CoolBlast® range fan units. This enables flexible adjustments to customer requirements.
- Door opening angle, 180°

Jumping space
At the front: 123 mm

Load rating
5000 N static

Protection rating
IP 40

- Tests**
- Earthing in acc. with VDE 0100 T 540
 - Vibration test in acc. with MIL-STD 810 E
 - IP test in acc. with DIN 40 050 / IEC 529

- Material/ Finish**
- Basic rack, extruded aluminum, polished
 - Corner piece, die-cast aluminum, polished
 - Covers, zinc-passivated sheet steel, powder-coated texture

- Doors, sheet steel, powder-coated texture, glass infill, front door, single safety glass panel, 4 mm
- Multifunctional sheet steel, zinc-plated

Color
Visible surface of covers
RAL 7035 light gray

- Supply schedule**
- 1 basic frame
 - 2 19" aluminum vertical extrusions with T-slot and increment slide for spring nut M5
 - 2 multifunctional braces for cable clamping and universal mounting options
 - 1 raised top cover with cable entry (three-piece sliding plates, can also be opened completely), prepared for upgrading CoolBlast® fan units
 - 1 front door, single, single safety glass panel, with handle and mounting for cylinder lock
 - 1 rear door, single, sheet steel, with handle and mounting for cylinder lock
 - 2 side panels with quick connectors
 - 1 plinth for cable management on the side and rear with leveling feet (0-25 mm)
 - 2 side plinth panels, closed
 - 2 plinth panels for front and rear, with vent slots and fixing for filter mat
 - 1 complete earthing set (VDE 0100)

How supplied
Assembled

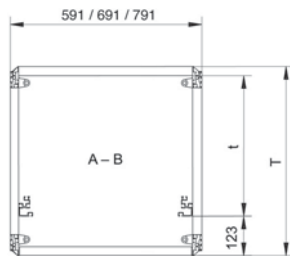
W	H	D	U	h	d	kg	Model	Order no.	UP
600	1320	600	23	1052	435	72	With side panel	01.135.109.1	1 unit
600	1920	600	37	1652	435	95	With side panel	01.135.111.1	1 unit
600	2120	600	41	1852	435	103	With side panel	01.135.112.1	1 unit
600	2320	600	46	2052	435	112	With side panel	01.135.113.1	1 unit
600	1320	800	23	1052	635	74	With side panel	01.135.127.1	1 unit
600	1920	800	37	1652	635	102	With side panel	01.135.129.1	1 unit
600	2120	800	41	1852	635	110	With side panel	01.135.130.1	1 unit
600	2320	800	46	2052	635	119	With side panel	01.135.131.1	1 unit
600	1320	600	23	1052	435	68	No side panel	01.135.115.1	1 unit
600	1920	600	37	1652	435	94	No side panel	01.135.117.1	1 unit
600	2120	600	41	1852	435	99	No side panel	01.135.118.1	1 unit
600	2320	600	46	2052	435	106	No side panel	01.135.119.1	1 unit
600	1320	800	23	1052	635	68	No side panel	01.135.133.1	1 unit
600	1920	800	37	1652	635	94	No side panel	01.135.135.1	1 unit
600	2120	800	41	1852	635	99	No side panel	01.135.136.1	1 unit
600	2320	800	46	2052	635	106	No side panel	01.135.137.1	1 unit

Dimensions in mm: W = Width, H = Height, D = Depth, h = installation height, d = useful depth, L = length, U = standard height unit (1 U = 44.45 mm), UP = unit of packaging, kg = weight, = Express item

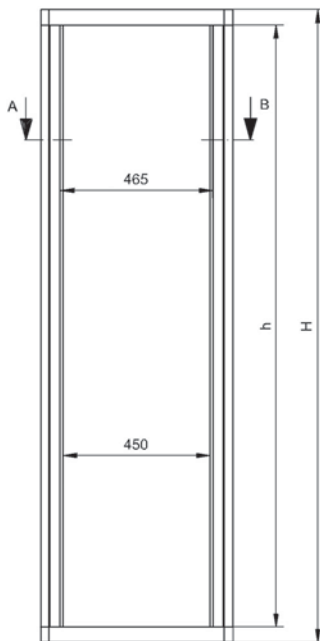
Conversion: 1 mm = 0.03937 inch, 1 kg = 2.2046 pound



MIR20307



MIR00043a



MIR20002

Knürr Miracel® 19" Lab Rack, NO 19 with 2x 19" T-slot extrusion (basis for rack widths 600 / 700 / 800)

- With fixed 19" installation on the front for components in acc. with IEC 297-3
- Flexible assembly of the built-in units with T-slot

■ Jumping space
At the front: 123 mm

■ Load rating
5000 N static

- Tests**
- Earthing in acc. with VDE 0100 T 540
 - Vibration test in acc. with MIL-STD 810 E

- Material/ Finish**
- Basic rack, extruded aluminum, polished
 - Corner piece, die-cast aluminum
 - Multifunctional sheet steel, zinc-plated

■ Supply schedule

- 1 basic frame
- 2 19" aluminum vertical extrusions with T-slot and increment slide for spring nut M5
- 2 multifunctional braces for cable clamping and universal mounting options
- 4 leveling feet (0-25 mm)

■ How supplied
Assembled

W	H	D	U	h	d	kg	Model	Order no.	UP
591	1196	585	23	1052	435	14		01.135.793.3	1 unit
591	1796	585	37	1652	435	16		01.135.795.3	1 unit
591	1996	585	41	1852	435	17		01.135.796.3	1 unit
591	2196	585	46	2052	435	18		01.135.797.3	1 unit
591	1196	785	23	1052	635	16		01.135.817.3	1 unit
591	1796	785	37	1652	635	18		01.135.819.3	1 unit
591	1996	785	41	1852	635	19		01.135.820.3	1 unit
591	2196	785	46	2052	635	20		01.135.821.3	1 unit
591	1196	885	37	1652	735	19		01.135.842.0	1 unit
591	1996	885	41	1852	735	20		01.135.843.0	1 unit
591	2196	885	46	2052	735	21		01.135.844.0	1 unit
591	1796	985	37	1652	835	20		01.133.600.0	1 unit
591	1996	985	41	1852	835	21		01.133.610.0	1 unit
591	2196	985	46	2052	835	22		01.133.620.0	1 unit
591	1796	1185	37	1652	1035	22		01.133.605.0	1 unit
591	1996	1185	41	1852	1035	23		01.133.615.0	1 unit
591	2196	1185	46	2052	1035	24		01.133.625.0	1 unit
691	1196	585	23	1052	435	15		01.135.799.3	1 unit
691	1796	585	37	1652	435	17		01.135.801.3	1 unit
691	1996	585	41	1852	435	18		01.135.802.3	1 unit
691	2196	585	46	2052	435	19		01.135.803.3	1 unit
691	1196	785	23	1052	635	17		01.135.823.3	1 unit
691	1796	785	37	1652	635	19		01.135.825.3	1 unit
691	1996	785	41	1852	635	20		01.135.826.3	1 unit
691	2196	785	46	2052	635	21		01.135.827.3	1 unit
691	1796	885	37	1652	735	19		01.133.630.0	1 unit
691	1996	885	41	1852	735	20		01.133.645.0	1 unit
691	2196	885	46	2052	735	22		01.133.660.0	1 unit
691	1796	985	37	1652	835	21		01.133.635.0	1 unit
691	1996	985	41	1852	835	22		01.133.650.0	1 unit
691	2196	985	46	2052	835	23		01.133.665.0	1 unit
691	1796	1185	37	1652	1035	23		01.133.640.0	1 unit
691	1996	1185	41	1852	1035	24		01.133.655.0	1 unit
691	2196	1185	46	2052	1035	25		01.133.670.0	1 unit
791	1200	585	23	1052	435	16		01.135.805.3	1 unit
791	1796	585	37	1652	435	18		01.135.807.3	1 unit
791	1996	585	41	1852	435	19		01.135.808.3	1 unit
791	2196	585	46	2052	435	20		01.135.809.3	1 unit

Continued on next page!

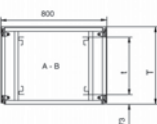
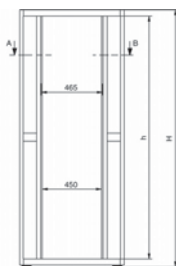
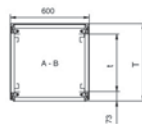
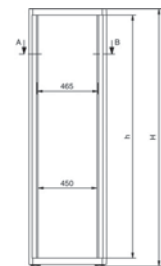
W	H	D	U	h	d	kg	Model	Order no.	UP
791	1196	785	23	1052	635	18		01.135.829.3	1 unit
791	1796	785	37	1652	635	20		01.135.831.3	1 unit
791	1996	785	41	1852	635	21		01.135.832.3	1 unit
791	2196	785	46	2052	635	22		01.135.833.3	1 unit
791	1796	885	37	1652	735	21		01.135.847.0	1 unit
791	1996	885	41	1852	735	22		01.135.848.0	1 unit
791	2196	885	46	2052	735	23		01.135.849.0	1 unit
791	1796	985	37	1652	835	20		01.133.675.0	1 unit
791	1996	985	41	1852	835	22		01.133.685.0	1 unit
791	2196	985	46	2052	835	24		01.133.695.0	1 unit
791	1796	1185	37	1652	1035	22		01.133.680.0	1 unit
791	1996	1185	41	1852	1035	24		01.133.690.0	1 unit
791	2196	1185	46	2052	1035	26		01.133.700.0	1 unit



MIR20308

Knürr Miracel® 19" Basic Frame, with 4x 19" mounting hole extrusion (basis for rack widths 600 / 800)

- With fixed 19" installation on the front and rear
- Installation of chassis runners and 19" shelves possible
- For components in acc. with IEC 297-3
- **For installing:**
 - 19" components on the front and rear
 - Equipment with max. construction width of 450 mm
 - Installation accessories
- **Jumpering space**
At the front: 73 mm
- **Load rating**
5000 N static
- **Tests**
 - Earthing in acc. with VDE 0100 T 540
 - Vibration test in acc. with MIL-STD 810 E
- **Material/ Finish**
 - Basic rack, extruded aluminum, polished
 - Corner piece, die-cast aluminum
 - Multifunctional braces and 19" sheet steel extrusions, zinc-passivated
- **Supply schedule**
 - 1 basic frame
 - 4 19" sheet steel angular extrusions with mounting holes
 - 2 multifunctional braces for cable clamping and universal mounting options
 - 4 leveling feet (0-25 mm)
- **How supplied**
- Assembled
- **Note: Rack suites**
In a rack suite, per connection you require a set of suite connectors BN 01.130.935.7



MIR00300

W	H	D	U	h	d	kg	Model	Order no.	UP
591	1196	585	23	1052	440	14		01.130.190.0	1 unit
591	1796	585	37	1652	440	16		01.130.193.0	1 unit
591	1996	585	41	1852	440	17		01.130.194.0	1 unit
591	2196	585	46	2052	440	18		01.130.195.0	1 unit
591	1196	785	23	1052	640	16		01.130.280.0	1 unit
591	1796	785	37	1652	640	18		01.130.283.0	1 unit
591	1996	785	41	1852	640	19		01.130.284.0	1 unit
591	2196	785	46	2052	640	20		01.130.285.0	1 unit
791	1196	585	23	1052	440	16		01.130.226.0	1 unit
791	1796	585	37	1652	440	18		01.130.229.0	1 unit
791	1996	585	41	1852	440	19		01.130.230.0	1 unit
791	2196	585	46	2052	440	20		01.130.231.0	1 unit
791	1196	785	23	1052	640	18		01.130.316.0	1 unit
791	1796	785	37	1652	640	20		01.130.319.0	1 unit
791	1996	785	41	1852	640	21		01.130.320.0	1 unit
791	2196	785	46	2052	640	22		01.130.321.0	1 unit



MIR20305

Knürr Miracel® 19" Distribution Rack with Swing Frame, NS 19.8 D Width 800, with front glass door, single

- With 19" swing frame for components in acc. with IEC 297-3
- Cable entry via plinth and top cover
- Cable entry on the top cover, can be completely removed at the rear, allowing top cover removal and replacement after cabling
- Dissipated heat discharge via raised fan roof
- Top cover prepared for upgrading with CoolBlast® range fan units. This enables flexible adjustments to customer requirements.
- Door opening angle, 180°

Load rating

800 N static in the swing frame
5000 N static in total

Protection rating

IP 40

Tests

- Earthing in acc. with VDE 0100 T 540
- Vibration test in acc. with MIL-STD 810 E
- IP test in acc. with DIN 40 050 / IEC 529

Material/ Finish

- Extruded aluminum
- Corner piece, die-cast aluminum
- Covers, zinc-passivated sheet steel, powder-coated texture
- Doors, sheet steel, powder-coated texture, glass infill, front door, single safety glass panel, 4 mm
- Swing frame, sheet steel, powder-coated, front board support, zinc-passivated
- Multifunctional braces and 19" swing frame, sheet steel, zinc-passivated

Color

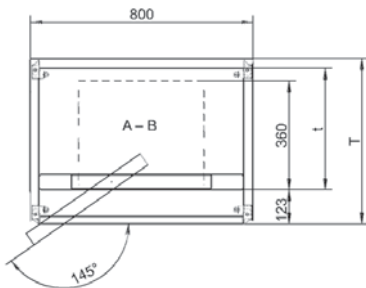
Visible surface of covers, RAL 7035 light gray

Supply schedule

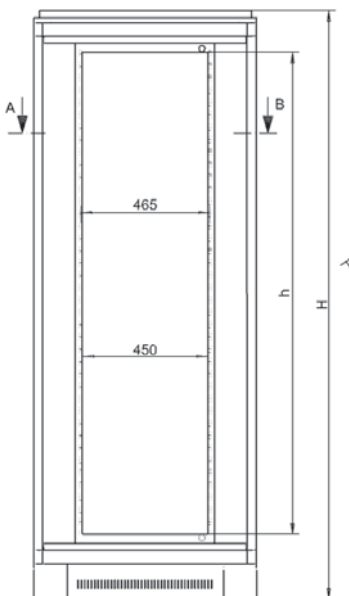
- 1 basic frame
- 1 19" swing frame with mounting holes for caged nuts M5
- 2 multifunctional braces for cable clamping and universal mounting options
- 1 raised top cover with cable entry (three-piece sliding plates, can also be opened completely), prepared for upgrading CoolBlast® fan units
- 1 front door, single, single safety glass panel, with handle and mounting for cylinder lock
- 1 rear panel with quick connectors
- 2 side panels with quick connectors
- 1 plinth for cable entry on the side and rear with leveling feet (0-25mm)
- 2 plinth panels for front and rear, with vent slots and fixing for filter mat
- 1 complete earthing set (VDE 0100)

How supplied

Assembled



MIR00047



MIR00047

W	H	D	U	h	d	kg	Model	Order no.	UP
800	2120	600	38	1692.8	435	111	With side panels	01.135.274.1	1 unit
800	2320	600	42	1870.6	435	120	With side panels	01.135.275.1	1 unit
800	2120	800	38	1692.8	635	119	With side panels	01.135.292.1	1 unit
800	2320	800	42	1870.6	635	128	With side panels	01.135.293.1	1 unit

Dimensions in mm: W = Width, H = Height, D = Depth, h = installation height, d = useful depth, L = length, U = standard height unit, 1 U = 44.45 mm, UP = unit of packaging, kg = weight, = Express item

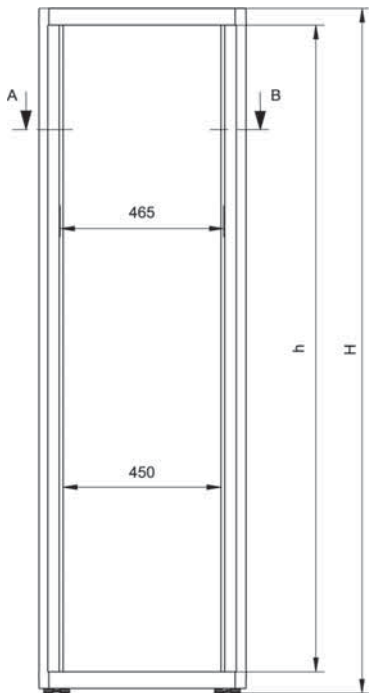
Conversion: 1 mm = 0.03937 inch, 1 kg = 2.2046 pound



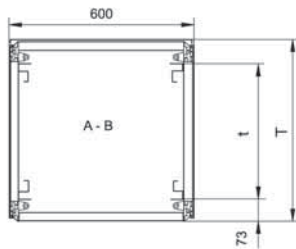
MIR20309

Knürr Miracel® no front door, width 600 mm

- With fixed 19" installation on the front and rear
- Installation of chassis runners and 19" shelves possible
- For components in acc. with IEC 297-3
- **For installing:**
 - 19" components on the front and rear
 - Equipment with max. construction width of 450 mm
 - Installation accessories
- **Jumpering space**
At the front: 73 mm
- **Load rating**
5000 N static
- **Tests**
 - Earthing in acc. with VDE 0100 T 540
 - Vibration test in acc. with MIL-STD 810 E
- **Material/ Finish**
 - Basic rack, extruded aluminum
 - Corner piece, die-cast aluminum
 - Covers and trim extrusions, zinc-passivated sheet steel, powder-coated texture
 - Multifunctional braces and 19" extrusions, sheet steel, zinc-passivated
- **Color**
 - Basic rack, polished
 - Visible surface of the covers, RAL 7035 light gray
 - Trim extrusions: RAL 5008 gray-blue
- **Supply schedule**
 - 1 basic frame
 - 4 19" sheet steel extrusions with mounting holes
 - 2 multifunctional braces for cable clamping and universal mounting options
 - 1 top cover, closed
 - 1 rear panel with quick connectors
 - 2 side panels with quick connectors
 - 2 horizontal trim extrusions, front
 - 2 vertical trim extrusions, front
 - 4 leveling feet (0-25 mm)
- **How supplied**
 - Assembled




MIR00540



MIR00540

W	H	D	U	h	d	kg	Model	Order no.	UP
600	1200	600	23	1052	440	42		01.131.068.1	1 unit
600	1800	600	37	1652	440	57		01.131.071.1	1 unit
600	2000	600	41	1852	440	62		01.131.072.1	1 unit
600	2200	600	46	2052	440	66		01.131.073.1	1 unit
600	1200	800	23	1052	640	48		01.131.074.1	1 unit
600	1800	800	37	1652	640	63		01.131.077.1	1 unit
600	2000	800	41	1852	640	69		01.131.078.1	1 unit
600	2200	800	46	2052	640	75		01.131.079.1	1 unit

Dimensions in mm: W = Width, H = Height, D = Depth, h = installation height, d = useful depth, L = length, U = standard height unit, 1 U = 44.45 mm, UP = unit of packaging, kg = weight,  = Express item

Conversion: 1 mm = 0.03937 inch, 1 kg = 2.2046 pound



MIR20336

Knürr Miracel® IP55 With glass door, single, width 600

- With fixed 19" installation on the front and rear
- For components in acc. with IEC 297-3
- Door opening angle, 180°
- **For installing:**
 - 19" components on the front and rear
 - Equipment with max. construction width of 450 mm
 - Installation accessories
- **Jumpering space**
At the front: 73 mm
- **Load rating**
5000 N static
- **Protection rating**
IP 55

- **Tests**
 - Earthing in acc. with VDE 0100 T 540
 - Vibration test in acc. with MIL-STD 810 E
 - IP test in acc. with DIN 40 050 / IEC 529

- **Material/ Finish**
 - Basic rack, extruded aluminum, polished
 - Corner piece, die-cast aluminum, polished
 - Covers, zinc-passivated sheet steel, powder-coated texture
 - Doors, sheet steel, powder-coated texture, glass infill, front door, single safety glass panel, 4 mm
 - Multifunctional braces and 19" extrusions, sheet steel, zinc-passivated

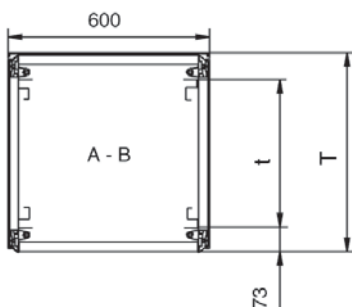
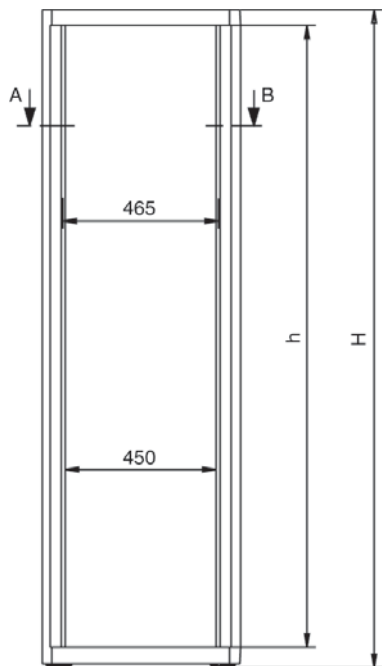
- **Color**
Visible surface of the cover
RAL 7035 light gray

- **Supply schedule**
 - 1 basic frame
 - 4 19" sheet steel angular extrusions with mounting holes
 - 2 multifunctional braces for cable clamping and universal mounting options
 - 1 top cover, closed, IP 55
 - 1 front door, single, single safety glass panel, with handle and mounting for cylinder lock, IP 55
 - 1 rear panel with quick connectors, IP 55
 - 2 side panels with quick connectors, IP 55
 - 1 bottom cover, closed, IP 55
 - 4 leveling feet (0-25 mm)


- **How supplied**
- Assembled

- **Note: Rack suites**
To create a rack suite with "n" racks, you require:
 - (n-1) racks without side panels
 - 1 rack with side panels
 In a rack suite, per connection you require a set of suite connectors BN 01.130.935.7.

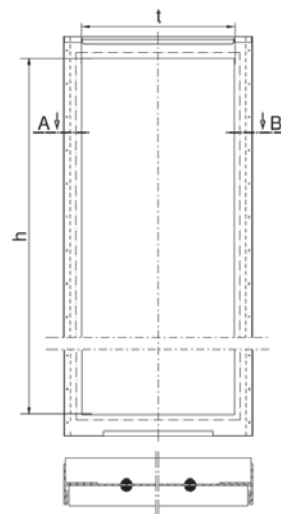
IP 55 sealing frame on request!



MIR00301

Dimensions in mm: W = Width, H = Height, D = Depth, h = installation height, d = useful depth, L = length, U = standard height unit, 1 U = 44.45 mm, UP = unit of packaging, kg = weight,  = Express item

Conversion: 1 mm = 0.03937 inch, 1 kg = 2.2046 pound



Sealing frame

MIR00304

W	H	D	U	h	d	kg	Model	Order no.	UP
600	1200	600	23	1052	440	55		01.132.268.1	1 unit
600	1600	600	32	1452	440	69		01.132.270.1	1 unit
600	1800	600	37	1652	440	75		01.132.271.1	1 unit
600	2000	600	41	1852	440	80		01.132.272.1	1 unit
600	2200	600	46	2052	440	86		01.132.273.1	1 unit
600	1200	800	23	1052	640	65		01.132.274.1	1 unit
600	1600	800	32	1452	640	76		01.132.276.1	1 unit
600	1800	800	37	1652	640	83		01.132.277.1	1 unit
600	2000	800	41	1852	640	90		01.132.278.1	1 unit
600	2200	800	46	2052	640	96		01.132.279.1	1 unit



MIR00100

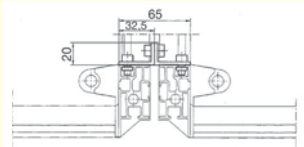
Miracel® Rack Connectors Mounted on the inside

- For mechanical, stable connection of rack and frame suites

■ **Material/ Finish**
- Sheet steel, 2 mm, zinc passivated

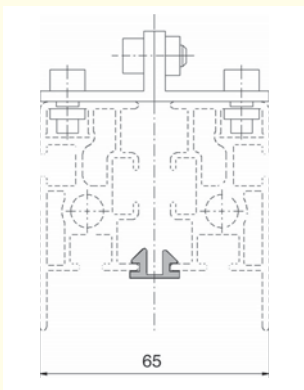
■ **Supply schedule**
8 mounting brackets (for connecting 2 racks/frames)
Mounting material

■ **How supplied**
Flat-packed kit



MIR00168

W	H	D	U	h	d	kg	Model	Order no.	UP
								01.130.935.7	1 unit



MIR00320

Miracel® Cover Extrusion for Rack Suites, IP 20

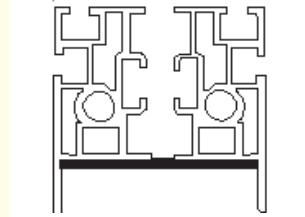
■ **Material**
PVC extruder extrusion, black

■ **Supply schedule**
2 vertical lengths
2 depth lengths

W	H	D	U	h	d	kg	Model	Order no.	UP
1200	T 600	23						01.131.270.9	1 unit
1800	T 600	37						01.131.273.9	1 unit
2000	T 600	41						01.131.274.9	1 unit
2200	T 600	46						01.131.275.9	1 unit
1200	T 800	23						01.131.276.9	1 unit
1800	T 800	37						01.131.279.9	1 unit
2000	T 800	41						01.131.280.9	1 unit
2200	T 800	46						01.131.281.9	1 unit
1200	T 900	23						01.131.282.9	1 unit
1800	T 900	37						01.131.285.9	1 unit
2000	T 900	41						01.131.286.9	1 unit
2200	T 900	46						01.131.287.9	1 unit
2000	T 1000	41						01.127.760.9	1 unit
2200	T 1000	46						01.127.761.9	1 unit
2000	T 1200	41						01.127.762.9	1 unit
2200	T 1200	46						01.127.763.9	1 unit

Dimensions in mm: W = Width
H = Height
D = Depth
h = installation height
l = length
U = standard height unit
1 U = 44.45 mm
UP = unit of packaging
kg = weight
Express item

Conversion: 1 mm = 0.03937 inch 1 kg = 2.2046 pound



MIR20036

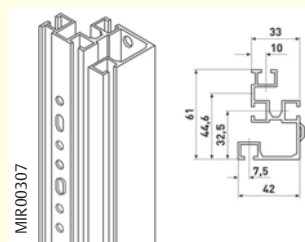
Miracel® Rack Connectors Mounted on the outside

- For secure connection of several racks
- Front and rear external mounting

■ **Material**
- Sheet steel, 1 mm, zinc-passivated

■ **Supply schedule**
4 mounting straps
Mounting material

W	H	D	U	h	d	kg	Model	Order no.	UP
								01.127.114.9	1 unit



MIR00307

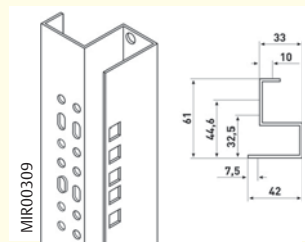
Miracel® 19" Vertical Extrusion, Aluminum with T-slot and increment slide

- For front and rear installation in the rack
- Spring nut, variable and adjustable in U increment (19")
- Please order suitable assembly kit for rack widths 700 / 800
- With W 600 screws and spring nuts

■ **Material**
Extruded aluminum, polished

■ **Supply schedule**
2 vertical extrusions with increment slides

W	H	D	U	h	d	kg	Model	Order no.	UP
1200	23	1100						01.130.828.0	1 unit
1800	37	1700						01.130.834.0	1 unit
2000	41	1900						01.130.835.0	1 unit
2200	46	2100						01.130.836.0	1 unit



MIR00309

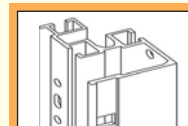
Miracel® 19" Vertical Extrusion, steel with mounting holes

- For front and rear installation in the rack
- Caged nut mountable in HU/U increments (19")
- Please order suitable assembly kit for rack widths 700 / 800
- With W 600 screws and spring nuts

■ **Material**
Sheet steel, 1.5 mm, zinc-passivated

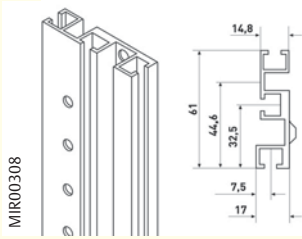
■ **Supply schedule**
- 2 Vertical extrusions with mounting holes

W	H	D	U	h	d	kg	Model	Order no.	UP
1200	23	1100						01.130.803.0	1 unit
1800	37	1700						01.130.809.0	1 unit
2000	41	1900						01.130.810.0	1 unit
2200	46	2100						01.130.811.0	1 unit



Note:

19" alu extrusions with mounting holes on request



Type 1

Miracel® Vertical Extrusion, MEPS 20 module

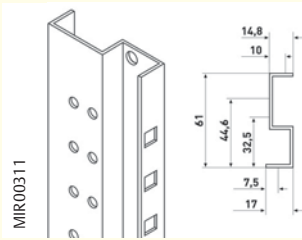
- For metric racks, 20 module
- Spring nut, stepless and adjustable in standard increment
- Please order suitable assembly kit for rack widths 700 / 800
- With W 600 screws and spring nuts

Material

- Type 1: Extruded aluminum, polished
- Type 2: Sheet steel, 1.5 mm, zinc-passivated

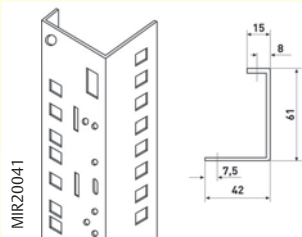
Supply schedule

2 vertical extrusions



Type 2

W	H	D	U	h	d	kg	Model	Order no.	UP
1800	66	1700					ALU T-slot	01.130.847.0	1 unit
2000	74	1900					ALU T-slot	01.130.848.0	1 unit
2200	82	2100					ALU T-slot	01.130.849.0	1 unit
1800	66	1700					Steel mount. holes	01.130.822.0	1 unit
2000	74	1900					Steel mount. holes	01.130.823.0	1 unit
2200	82	2100					Steel mount. holes	01.130.824.0	1 unit



Miracel® 19" Server Extrusion, steel with mounting holes

- For mounting trade standard 19" servers
- Please order suitable assembly kit for rack widths 700 / 800
- Please order mounting adapter for Knürr standard components

Material

Sheet steel, 2 mm, zinc-passivated

Supply schedule

4 19" server extrusions

W	H	D	U	h	d	kg	Model	Order no.	UP
2000	41							01.127.214.0	1 unit
2200	46							01.127.215.0	1 unit



MIR20044

Miracel® Mounting Adapter for 19" Server Extrusion

- For mounting Knürr standard components (storage shelves, drawers, slot-in runners, keyboard runners, etc.) in 19" installation space

Material

Sheet steel, zinc-passivated

Supply schedule

4 adapters

W	H	D	U	h	d	kg	Model	Order no.	UP
								01.127.119.9	1 unit



MIR00510

Miracel® Assembly Kits for Extrusions

Supply schedule

- 4 Node brackets (full installation)
- 2 node brackets (shortened installation)
- 2 Z brackets (shortened installation)
- Mounting material

W	H	D	U	h	d	kg	Model	Order no.	UP
700							Short inst.	01.131.219.7	1 unit
800							Short inst.	01.131.221.7	1 unit
700							Full inst.	01.131.220.7	1 unit
800							Full inst.	01.131.222.7	1 unit



LUF20337

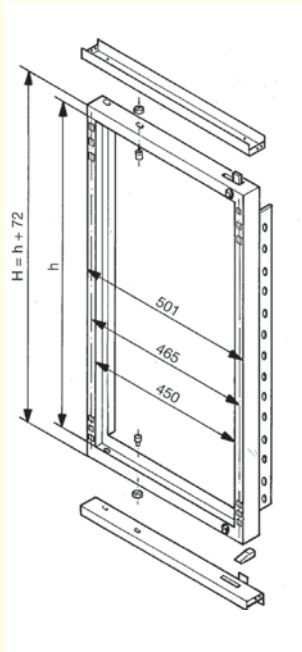
Miracel® U Tape Measure

- For sticking on Miracel 19" extrusions
- Enables fast component positioning on the correct U position
- Standard length, 48 U; shorten as required

Supply schedule

1 tape measure

W	H	D	U	h	d	kg	Model	Order no.	UP
			48					01.128.400.9	1 unit

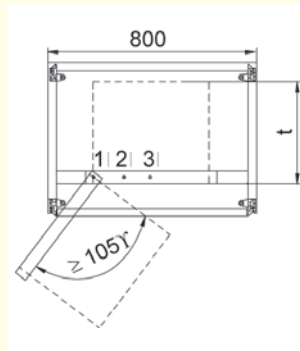


MIR00162

Miracel® Swing Frame, 90° / 105° / 130°

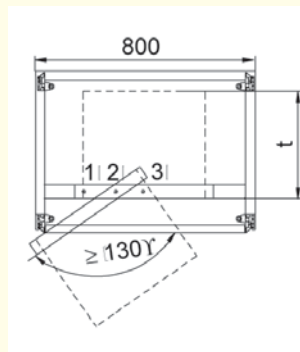
- **Maximum installation weight**
80 kg
- **Also order assembly kit**
01.131.317.1
- **Swing frame earthing set**
01.110.610.9
- **Material**
Sheet steel, 2 mm
- **Finish**
Powder-coated texture, RAL 7035 light gray
- **Note**
The rack's nominal installation height is reduced by 3 U with the installation of a swing frame
- **Supply schedule**
1 frame
2 horizontal rails
1 square spanner
Mounting material
- **How supplied**
Flat-packed kit

W	H	D	U	h	d	kg	Model	Order no.	UP
800	2000	38	1692.8					01.117.079.1	1 unit



MIR00322

A



MIR00323

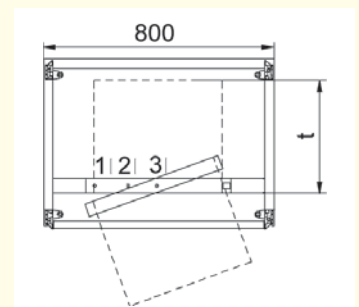
B

Useful depth according to rack type and pivot point

- A Center inst., pivot point 1
- B Center inst., pivot point 2
- C Center inst., pivot point 3

W [mm]	H [mm]	D [mm]
800		600
800		800

A	B	C	D
390	370	360	285
535	370	360	285



MIR00324

C



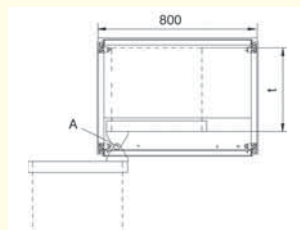
MIR00209

19" Swing Frame 180°

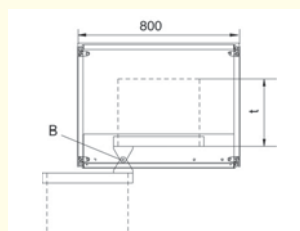
- With swing frame use the rack must be screwed to the floor.
- Installation of the swing frame reduces the rack's nominal installation height by 2 U.
- With load rating > 80 kg installation weight, please also order additional assembly kit, side panel screwing!
- **19" Swing Frame 180°**
 - For mounting 19" components in acc. with IEC 297-3
 - Enables free accessibility to the second mounting level and to the installation components in the swing frame
 - Can be mounted in rack width 800 mm
 - Rack must be screwed to the floor

- **Material**
 - Frame, 2 mm sheet steel
 - Die-cast aluminum pivot bearing
- **Finish/ Color**
Frame and horizontal rail
Powder-coated texture, RAL 7035 light gray
Front board support on the vertical post, zinc-passivated
- **Supply schedule**
1 19" swing frame, complete
1 horizontal mounting, below
1 horizontal mounting, above
1 square spanner
Mounting material

W	H	D	U	h	d	kg	Model	Order no.	UP
800	2000	39	1737					01.131.430.1	1 unit



MIR00315



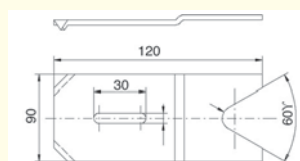
MIR00316

Useful depth according to rack type and pivot point

- A External inst., external pivot point
- B Center inst., pivot point 1

W [mm]	H [mm]	D [mm]
800		600/800

A	B
420	290



MIR00319

Base Fixing Kit

- **Material**
Sheet steel, 3.0 mm
- **Finish**
Zinc-passivated
- **Supply schedule**
4 clamping plates

W	H	D	U	h	d	kg	Model	Order no.	UP
								01.130.934.7	1 unit



MIR20310

Miracel® Sheet Steel Door with Perforation, Single

- **Material**
Sheet steel, 1.0 mm
- **Finish/ Color**
Final digit of order number .1:
Powder-coated texture
RAL 7035 light gray
Final digit of order number .8:
Powder-coated texture
RAL 7021 dark gray
- **Supply schedule**
1 door
Mounting material
- **Volume flow**
A large surface perforation (83% free surface) enables optimum airflow through the rack



MIR20277

Miracel® Sheet Steel Door with Perforation, Double

- **Material**
Sheet steel, 1.0 mm
- **Finish/Color**
Final digit of order number .1:
Powder-coated texture
RAL 7035 light gray
Final digit of order number .8:
Powder-coated texture
RAL 7021 dark gray
- **Supply schedule**
1 door
Mounting material
- **Volume flow**
A large surface perforation (83% free surface) enables optimum airflow through the rack

W	H	D	U	h	d	kg	Model	Order no.	UP
600	1200						Compl. door, RAL 7035	01.147.400.1	1 unit
600	1200						Compl. door, RAL 7021	01.147.400.8	1 unit
700	1200						Compl. door, RAL 7035	01.147.401.1	1 unit
700	1200						Compl. door, RAL 7021	01.147.401.8	1 unit
800	1200						Compl. door, RAL 7035	01.147.402.1	1 unit
800	1200						Compl. door, RAL 7021	01.147.402.8	1 unit
600	1800						Compl. door, RAL 7035	01.147.412.1	1 unit
600	1800						Compl. door, RAL 7021	01.147.412.8	1 unit
700	1800						Compl. door, RAL 7035	01.147.413.1	1 unit
700	1800						Compl. door, RAL 7021	01.147.413.8	1 unit
800	1800						Compl. door, RAL 7035	01.147.414.1	1 unit
800	1800						Compl. door, RAL 7021	01.147.414.8	1 unit
900	1800						Compl. door, RAL 7035	01.147.415.1	1 unit
900	1800						Compl. door, RAL 7021	01.147.415.8	1 unit
600	2000						Compl. door, RAL 7035	01.147.416.1	1 unit
600	2000						Compl. door, RAL 7021	01.147.416.8	1 unit
700	2000						Compl. door, RAL 7035	01.147.417.1	1 unit
700	2000						Compl. door, RAL 7021	01.147.417.8	1 unit
800	2000						Compl. door, RAL 7035	01.147.418.1	1 unit
800	2000						Compl. door, RAL 7021	01.147.418.8	1 unit
600	2200						Compl. door, RAL 7035	01.147.420.1	1 unit
600	2200						Compl. door, RAL 7021	01.147.420.8	1 unit
700	2200						Compl. door, RAL 7035	01.147.421.1	1 unit
700	2200						Compl. door, RAL 7021	01.147.421.8	1 unit
800	2200						Compl. door, RAL 7035	01.147.422.1	1 unit
800	2200						Compl. door, RAL 7021	01.147.422.8	1 unit

W	H	D	U	h	d	kg	Model	Order no.	UP
600	2000						Double door RAL 7035	01.128.260.1	1 unit
600	2000						Double door RAL 7021	01.128.260.8	1 unit
700	2000						Double door RAL 7035	01.128.261.1	1 unit
700	2000						Double door RAL 7021	01.128.261.8	1 unit
800	2000						Double door RAL 7035	01.128.262.1	1 unit
800	2000						Double door RAL 7021	01.128.262.8	1 unit
600	2200						Double door RAL 7035	01.128.263.1	1 unit
600	2200						Double door RAL 7021	01.128.263.8	1 unit
700	2200						Double door RAL 7035	01.128.264.1	1 unit
700	2200						Double door RAL 7021	01.128.264.8	1 unit
800	2200						Double door RAL 7035	01.128.265.1	1 unit
800	2200						Double door RAL 7021	01.128.265.8	1 unit



MIR00059

Miracel® Door Trim

- **Material**
Aluminum extrusion or sheet steel
- **Finish / Color**
Powder-coated texture, RAL 9011
- **Supply schedule**
1 door trim (single doors)
2 door trims (double doors)
Mounting material
- **How supplied**
Flat-packed kit



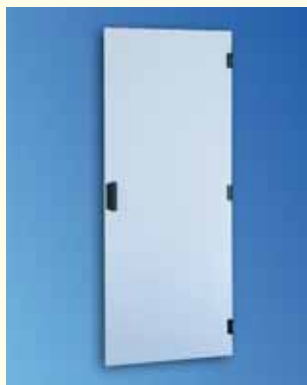
MIR00060

W	H	D	Model	Order no.	UP
600			Door trim, double door*	01.133.200.9	1 set
700			Door trim, double door*	01.133.201.9	1 set
800			Door trim, double door*	01.133.202.9	1 set
600			Door trim	01.133.210.9	1 set
700			Door trim	01.133.211.9	1 set
800			Door trim	01.133.212.9	1 set

* Cannot be used for glass double doors

Dimensions in mm: W = Width
H = Height
D = Depth
h = installation height
d = useful depth
L = length
U = standard height unit
1 U = 44.45 mm
UP = unit of packaging
kg = weight
Express item

Conversion: 1 mm = 0.03937 inch 1 kg = 2.2046 pound



MIR20313



MIR20314

Knürr Miracel® Sheet Steel Door, single and double

- **Material**
Sheet steel, 1.0 mm
- **Finish / Color**
Final digit of order number .1:
Powder-coated texture
RAL 7035 light gray
Final digit of order number .8:
Powder-coated texture
RAL 7021 dark gray
- **Protection rating**
With installation in the Miracel rack (depending on the other rack components), a maximum protection class of IP 55 can be achieved with IP 40 double doors.
- **Supply schedule**
1 sheet steel door
Mounting material
- **How supplied**
Pre-assembled

W	H	D	U	Model	Order no.	UP
700	2000	41		Double door, steel	01.131.841.1	1 unit
800	2000	41		Double door, steel	01.131.842.1	1 unit
600	2200	46		Double door, steel	01.131.845.1	1 unit
700	2200	46		Double door, steel	01.131.846.1	1 unit
800	2200	46		Double door, steel	01.131.847.1	1 unit



MIR20311



MIR20312

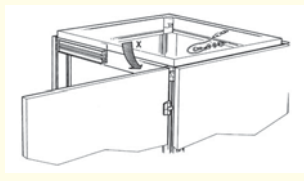
Knürr Miracel® Glass Door, single and double

- **Material**
Sheet steel 1.0 mm, single safety glass panel 4.0 mm, clear glass, double door 6.0 mm
- **Finish / Color**
Final digit of order number .1:
Powder-coated texture
RAL 7035 light gray
Final digit of order number .8:
Powder-coated texture
RAL 7021 dark gray
- **Protection rating**
With installation in the Miracel rack (depending on the other rack components), a maximum protection class of IP 55 can be achieved with IP 20 double doors.
- **Supply schedule**
1 glass door
Mounting material
- **How supplied**
Pre-assembled

W	H	D	U	Model	Order no.	UP
600	1200	23		Compl. door, RAL 7035	01.147.440.1	1 unit
600	1200	23		Compl. door, RAL 7021	01.147.440.8	1 unit
700	1200	23		Compl. door, RAL 7035	01.147.441.1	1 unit
700	1200	23		Compl. door, RAL 7021	01.147.441.8	1 unit
800	1200	23		Compl. door, RAL 7035	01.147.442.1	1 unit
800	1200	23		Compl. door, RAL 7021	01.147.442.8	1 unit
600	1800	37		Compl. door, RAL 7035	01.147.452.1	1 unit
600	1800	37		Compl. door, RAL 7021	01.147.452.8	1 unit
700	1800	37		Compl. door, RAL 7035	01.147.453.1	1 unit
700	1800	37		Compl. door, RAL 7021	01.147.453.8	1 unit
800	1800	37		Compl. door, RAL 7035	01.147.454.1	1 unit
800	1800	37		Compl. door, RAL 7021	01.147.454.8	1 unit
600	2000	41		Compl. door, RAL 7035	01.147.456.1	1 unit
600	2000	41		Compl. door, RAL 7021	01.147.456.8	1 unit
700	2000	41		Compl. door, RAL 7035	01.147.457.1	1 unit
700	2000	41		Compl. door, RAL 7021	01.147.457.8	1 unit
800	2000	41		Compl. door, RAL 7035	01.147.458.1	1 unit
800	2000	41		Compl. door, RAL 7021	01.147.458.8	1 unit
600	2200	46		Compl. door, RAL 7035	01.147.460.1	1 unit
600	2200	46		Compl. door, RAL 7021	01.147.460.8	1 unit
700	2200	46		Compl. door, RAL 7035	01.147.461.1	1 unit
700	2200	46		Compl. door, RAL 7021	01.147.461.8	1 unit
800	2200	46		Compl. door, RAL 7035	01.147.462.1	1 unit
800	2200	46		Compl. door, RAL 7021	01.147.462.8	1 unit
600	1200	23		Double door, steel	01.131.820.1	1 unit
700	1200	23		Double door, steel	01.131.821.1	1 unit
800	1200	23		Double door, steel	01.131.822.1	1 unit
600	1800	37		Double door, steel	01.131.835.1	1 unit
700	1800	37		Double door, steel	01.131.836.1	1 unit
800	1800	37		Double door, steel	01.131.837.1	1 unit
600	2000	41		Double door, steel	01.131.840.1	1 unit

W	H	D	U	Model	Order no.	UP
600	1200	23		Compl. door, RAL 7035	01.147.480.1	1 unit
600	1200	23		Compl. door, RAL 7021	01.147.480.8	1 unit
700	1200	23		Compl. door, RAL 7035	01.147.481.1	1 unit
700	1200	23		Compl. door, RAL 7021	01.147.481.8	1 unit
800	1200	23		Compl. door, RAL 7035	01.147.482.1	1 unit
800	1200	23		Compl. door, RAL 7021	01.147.482.8	1 unit
600	1800	37		Compl. door, RAL 7035	01.147.492.1	1 unit
600	1800	37		Compl. door, RAL 7021	01.147.492.8	1 unit
700	1800	37		Compl. door, RAL 7035	01.147.493.1	1 unit
700	1800	37		Compl. door, RAL 7021	01.147.493.8	1 unit
800	1800	37		Compl. door, RAL 7035	01.147.494.1	1 unit
800	1800	37		Compl. door, RAL 7021	01.147.494.8	1 unit
600	2000	41		Compl. door, RAL 7035	01.147.496.1	1 unit
600	2000	41		Compl. door, RAL 7021	01.147.496.8	1 unit
700	2000	41		Compl. door, RAL 7035	01.147.497.1	1 unit
700	2000	41		Compl. door, RAL 7021	01.147.497.8	1 unit
800	2000	41		Compl. door, RAL 7035	01.147.498.1	1 unit
800	2000	41		Compl. door, RAL 7021	01.147.498.8	1 unit
600	2200	46		Compl. door, RAL 7035	01.147.500.1	1 unit
600	2200	46		Compl. door, RAL 7021	01.147.500.8	1 unit
700	2200	46		Compl. door, RAL 7035	01.147.501.1	1 unit
700	2200	46		Compl. door, RAL 7021	01.147.501.8	1 unit
800	2200	46		Compl. door, RAL 7035	01.147.502.1	1 unit
800	2200	46		Compl. door, RAL 7021	01.147.502.8	1 unit

W	H	D	U	Model	Order no.	UP
600	1200	23		Double door, glass	01.131.850.1	1 unit
700	1200	23		Double door, glass	01.131.851.1	1 unit
800	1200	23		Double door, glass	01.131.852.1	1 unit
600	1800	37		Double door, glass	01.131.862.1	1 unit
700	1800	37		Double door, glass	01.131.863.1	1 unit
800	1800	37		Double door, glass	01.131.864.1	1 unit
600	2000	41		Double door, glass	01.131.866.1	1 unit
700	2000	41		Double door, glass	01.131.867.1	1 unit
800	2000	41		Double door, glass	01.131.868.1	1 unit
600	2200	46		Double door, glass	01.131.870.1	1 unit
700	2200	46		Double door, glass	01.131.871.1	1 unit
800	2200	46		Double door, glass	01.131.872.1	1 unit



MIR00216

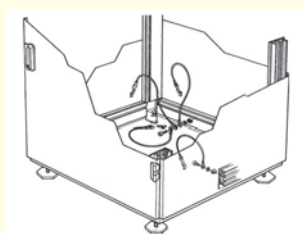
Earthing Set door/ Side Panel / Rear Panel

- For safe earthing of doors and covers

Supply schedule
1 earthline
Mounting material

How supplied
Flat-packed kit

W	H	D	Model	Order no.	UP
			For doors	1.130.624.9	1 unit
			For side and rear panel	1.133.745.9	1 unit



MIR00217

earthing set rack

- For safe rack earthing
- Standardized protective conductor connection

Standards
IEC 950
VDE 0100

Supply schedule
5 earthlines
Mounting material

How supplied
Flat-packed kit

W	H	D	Model	Order no.	UP
				01.130.529.9	1 unit



MIR00066

Door Locking Set

Supply schedule
1 lock set
2 keys (half-cylinder)

Note
Further cylinder locks on request!

W	H	D	U	h d kg	Model	Order no.	UP
						05.041.299.9	1 unit



MIR00069

Complete Locking Set

Supply schedule
2 cylinders with 2 keys each
2 lockable fasteners for side panel with 2 keys each

W	H	D	U	h d kg	Model	Order no.	UP
						01.130.940.9	1 unit



MIR00068

Miracel® Locking Set (for side or rear panel)

- For installation in the side or rear panel
- For protection against unauthorized access
- Later installation also possible

Supply schedule
1 lockable fastener
2 keys

How supplied
Flat-packed kit

W	H	D	U	h d kg	Model	Order no.	UP
						01.130.938.9	1 unit



MIR00076

Miracel® Plinth Stationary, height 200 mm

- Stationary incl. leveling option
- Cable entry possible from all sides
- Panels front and rear with vent slots and installation option for filter mat

Load rating
3000 N static

Material
Sheet steel

Finish
Powder-coated texture, RAL 7035

Supply schedule
4 plinth corners with leveling feet
8 panels
Mounting material

How supplied
Flat-packed kit

W	H	D	U	h d kg	Model	Order no.	UP
600	200	600				01.130.958.1	1 unit
600	200	800				01.130.959.1	1 unit
600	200	900				01.130.960.1	1 unit
700	200	600				01.130.964.1	1 unit
700	200	800				01.130.965.1	1 unit
800	200	600				01.130.970.1	1 unit
800	200	800				01.130.971.1	1 unit



MIR00414

Miracel® Plinth, stationary, height 100 mm

- Stationary
- Cable entry possible from all sides
- Panels front and rear with vent slots and installation option for filter mat

■ **Load rating**
5000 N static

■ **Material**
Sheet steel

■ **Finish**
Powder-coated texture, RAL 7035

■ **Supply schedule**
4 plinth corners with leveling
2 plinth panels with slots
2 plinth panels closed on the side
Mounting material

■ **How supplied**
Flat-packed kit

W	H	D	U	h	d	kg	Model	Order no.	UP
600	100	600						01.130.538.1	1 unit
600	100	800						01.130.539.1	1 unit
600	100	900						01.130.540.1	1 unit
600	100	1000						01.127.650.1	1 unit
600	100	1200						01.133.710.1	1 unit
700	100	600						01.130.544.1	1 unit
700	100	800						01.130.545.1	1 unit
700	100	900						01.130.546.1	1 unit
700	100	1000						01.127.651.1	1 unit
700	100	1200						01.133.711.1	1 unit
800	100	600						01.130.550.1	1 unit
800	100	800						01.130.551.1	1 unit
800	100	900						01.130.552.1	1 unit
800	100	1000						01.127.652.1	1 unit
800	100	1200						01.133.712.1	1 unit



MIR20088

Miracel® Castors

- Can be mounted on the threaded eyelet of the basic rack
- Castor diameter, 75 mm
- Threaded bolt, M12
- Load capacity per castor: 100 kg

■ **Supply schedule**
4 swivel castors

■ **How supplied**
Flat-packed kit

W	H	D	U	h	d	kg	Model	Order no.	UP
				109.5				05.031.057.9	4 units

Dimensions in mm: W = Width
H = Height
D = Depth
h = installation height
d = useful depth
L = length

U = standard height unit
1 U = 44.45 mm
UP = unit of packaging
kg = weight

Express item

Conversion: 1 mm = 0.03937 inch 1 kg = 2.2046 pound



MIR00077

Miracel® Plinth, mobile, height 100 mm

- Mobile
- Cable entry possible on the rear
- With leveling feet for stationary model

■ **Load rating**
3000 N static

■ **Material**
Sheet steel, 2 mm

■ **Finish**
Powder-coated texture, RAL 7035

■ **Supply schedule**
1 plinth frame
2 fixed castors with snib
2 swivel castors
4 leveling feet
Mounting material

■ **How supplied**
Flat-packed kit

W	H	D	U	h	d	kg	Model	Order no.	UP
600	100	600						01.130.561.1	1 unit
600	100	800						01.130.562.1	1 unit
600	100	900						01.130.563.1	1 unit
600	100	1000						01.127.250.1	1 unit
600	100	1200						01.133.715.1	1 unit
700	100	600						01.130.565.1	1 unit
700	100	800						01.130.566.1	1 unit
700	100	1000						01.127.253.1	1 unit
700	100	1200						01.133.716.1	1 unit
800	100	600						01.130.569.1	1 unit
800	100	800						01.130.570.1	1 unit
800	100	900						01.130.571.1	1 unit
800	100	1000						01.127.254.1	1 unit
800	100	1200						01.133.717.1	1 unit



ELM00103a

Front Panel, Swivel

- For covering the side jumpering space on the front in Miracel racks, width 800
- Easy to open with jumpering work

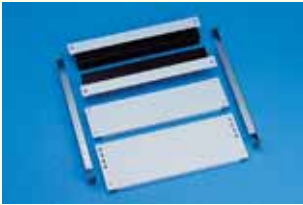
■ **Material/Finish**
Sheet steel, 1.0 mm, powder-coated texture

■ **Color**
RAL 7035 light gray

■ **Supply schedule**
2 front panels
Mounting material

■ **How supplied**
Flat-packed kit

W	H	D	U	h	d	kg	Model	Order no.	UP
			1003			23	For rack width 800	01.113.044.1	1 unit
			1003			23	For rack width 800	01.113.044.8	1 unit
			1803			41	For rack width 800	01.113.048.1	1 unit
			1803			41	For rack width 800	01.113.048.8	1 unit
			2002			46	For rack width 800	01.113.049.1	1 unit
			2002			46	For rack width 800	01.113.049.8	1 unit



MIR00355

Miracel® bottom cover for flexible cable entry with rubber sealing, IP 40

- For covering the rack underside
- With rubber sealing for flexible cable entry on the front and rear

■ **Material/ Finish**
Sheet steel, 1.5 mm, zinc-passivated
Sponge rubber, 50 mm x 50 mm

■ **Supply schedule**
1 cable entry
2 bottom covers
2 mounting brackets
Mounting material

■ **How supplied**
Flat-packed kit

W	H	D	U	h	d	kg	Model	Order no.	UP
600		600						01.130.732.0	1 unit
600		800						01.130.733.0	1 unit
600		900						01.130.734.0	1 unit
600		1000						01.127.670.0	1 unit
600		1200						01.133.740.0	1 unit
700		600						01.130.735.0	1 unit
700		800						01.130.736.0	1 unit
700		900						01.127.671.0	1 unit
700		1000						01.127.672.0	1 unit
700		1200						01.133.741.0	1 unit
800		600						01.130.738.0	1 unit
800		800						01.130.739.0	1 unit
800		900						01.130.740.0	1 unit
800		1000						01.127.673.0	1 unit
800		1200						01.133.742.0	1 unit



MIR00357

DCM® bottom cover, 3-piece

- For covering the rack underside
- For flexible cable entry on the front and rear

■ **Material/ Finish**
Sheet steel, 1.5 mm, zinc-passivated

■ **Supply schedule**
3 bottom covers
2 mounting brackets
Mounting material

■ **How supplied**
Flat-packed kit

W	H	D	U	h	d	kg	Model	Order no.	UP
600		600						01.130.750.0	1 unit
600		800						01.130.751.0	1 unit
600		900						01.130.752.0	1 unit
600		1000						01.127.660.0	1 unit
600		1200						01.133.730.0	1 unit
700		600						01.130.753.0	1 unit
700		800						01.130.754.0	1 unit
700		900						01.130.755.0	1 unit
700		1000						01.127.662.0	1 unit
700		1200						01.133.731.0	1 unit
800		600						01.130.756.0	1 unit
800		800						01.130.757.0	1 unit
800		900						01.130.758.0	1 unit
800		1000						01.127.663.0	1 unit
800		1200						01.133.732.0	1 unit



MIR00521

Miracel® plinth panel with brush strip

- For cable entry on the side, front and rear

■ **Finish**
Powder-coated texture, RAL 7035

■ **Supply schedule**
1 plinth panel with brush strip
Mounting material

■ **How supplied**
Flat-packed kit

W	H	D	U	h	d	kg	Model	Order no.	UP
600		600						01.130.744.1	1 unit
800		800						01.130.745.1	1 unit



MIR00161

Miracel® filter mat for plinth panel

For installation in plinth panel on the front and rear

■ **Supply schedule**
2 filter mats

■ **How supplied**
Flat-packed kit

W	H	D	U	h	d	kg	Model	Order no.	UP
600								01.130.530.9	1 unit
700								01.130.531.9	1 unit
800								01.130.532.9	1 unit



MIR20331

Miracel® quick connectors for side and rear panels

- Covers quickly fixed with 90° rotation of the connectors
- Easy to turn with wide flat-head screwdriver

■ **Material/Finish**
Final digit of order number .1:
Polyamide PA66
RAL 7035 light gray
Final digit of order number .9:
Polyamide PA66
RAL 9011 dark gray

■ **How supplied**
Sets of 50 units

Model	Order no.	UP
For side panel RAL 7035	01.133.900.1	1 set
For side panel RAL 9011	01.133.900.9	1 set
For side panel RAL 7035	01.133.910.1	1 set
For side panel RAL 9011	01.133.910.9	1 set

Dimensions in mm: W = Width
H = Height
D = Depth
h = installation height
d = useful depth
L = length

U = standard height unit
1 U = 44.45 mm
UP = unit of packaging
kg = weight

Express item

Conversion: 1 mm = 0.03937 inch 1 kg = 2.2046 pound



MIR00064

Miracel® Side Panel

- **Protection rating**
With installation in the Miracel rack (depending on the other rack components), a maximum protection class of IP 55 can be achieved
- **Material**
Sheet steel, 1.0 mm
- **Finish/ Color**
Powder-coated texture, RAL 7035
- **Supply schedule**
1 side panel
Mounting material
- **How supplied**
Flat-packed kit

W	H	D	U	h	d	kg	Model	Order no.	UP
1200	600	23						01.130.643.1	1 unit
1200	800	23						01.130.649.1	1 unit
1200	900	23						01.130.655.1	1 unit
1800	600	37						01.130.646.1	1 unit
1800	800	37						01.130.652.1	1 unit
2000	600	41						01.130.647.1	1 unit
2000	800	41						01.130.653.1	1 unit
2000	900	41						01.130.659.1	1 unit
2000	1000	41						01.127.739.1	1 unit
2000	1200	41						01.128.874.1	1 unit
2200	600	46						01.130.648.1	1 unit
2200	800	46						01.130.654.1	1 unit
2200	900	46						01.130.660.1	1 unit
2200	1000	46						01.127.740.1	1 unit
2200	1200	46						01.128.875.1	1 unit



MIR00064

Miracel® Rear Panel

- **Protection rating**
With installation in the Miracel rack (depending on the other rack components), a maximum protection class of IP 55 can be achieved
- **Material**
Sheet steel, 1.0 mm
- **Finish/ Color**
Powder-coated texture, RAL 7035
- **Supply schedule**
1 rear panel
Mounting material
- **How supplied**
Flat-packed kit

W	H	D	U	h	d	kg	Model	Order no.	UP
600	1200	23						01.130.662.1	1 unit
600	1800	37						01.130.665.1	1 unit
600	2000	41						01.130.666.1	1 unit
600	2200	46						01.130.667.1	1 unit
700	1200	23						01.130.668.1	1 unit
700	1800	37						01.130.671.1	1 unit
700	2000	41						01.130.672.1	1 unit
700	2200	46						01.130.673.1	1 unit
800	1200	23						01.130.674.1	1 unit
800	1800	37						01.130.677.1	1 unit
800	2000	41						01.130.678.1	1 unit
800	2200	46						01.130.679.1	1 unit



MIR00318

Miracel® Assembly Kit Side panel screwing

- For screwing the side panels instead of using quick connectors
- Provides additional rack strength
- **Material**
Countersunk washers and mounting nuts
Stainless steel
- **Supply schedule** (for 2 side panels)
16 countersunk washers
16 mounting nuts, M5
16 countersunk screws, M5 x 12
- **How supplied**
Flat-packed kit

W	H	D	U	h	d	kg	Model	Order no.	UP
								01.130.937.9	1 unit



MIR00068

Miracel® Locking Set For side or rear panel

- For installation in the side or rear panel
- For protection against unauthorized access
- Later installation also possible
- **Supply schedule**
1 lockable fastener
2 keys
- **How supplied**
Flat-packed kit

W	H	D	U	h	d	kg	Model	Order no.	UP
								01.130.938.9	1 unit

Dimensions in mm: W = Width
H = Height
D = Depth
h = installation height
d = useful depth
L = length
U = standard height unit
1 U = 44.45 mm
UP = unit of packaging
kg = weight
Express item

Conversion: 1 mm = 0.03937 inch 1 kg = 2.2046 pound



MIR20093

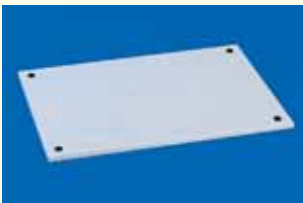
Miracel® Brush Strip

- Brush strip for all covers with cable entry
- For dust-protected and flexible cable entry
- Instead of mounting the sliding covers in the top cover

■ **Supply schedule**
2 brush strips

■ **How supplied**
Flat-packed kit

W	H	D	U	h	d	kg	Model	Order no.	UP
							For rack widths 700/800	01.130.999.9	1 unit
							For rack width 600	01.130.998.9	1 unit



MIR00070

Miracel® Cover, closed, IP 55

- Can be optionally used as top cover or bottom cover (combination with stationary plinth is not possible with use as bottom cover)

■ **Protection rating**
With installation in the Miracel rack (depending on the other rack components), a maximum protection class of IP 55 can be achieved.

■ **Finish**
Powder-coated texture, RAL 7035

■ **Supply schedule**
1 top cover, closed
Mounting material

■ **How supplied**
Flat-packed kit

W	H	D	U	h	d	kg	Model	Order no.	UP
600		600						01.130.690.1	1 unit
600		800						01.130.691.1	1 unit
600		900						01.130.692.1	1 unit
600		1000						01.127.700.1	1 unit
600		1200						01.133.760.1	1 unit
700		600						01.130.694.1	1 unit
700		800						01.130.695.1	1 unit
700		900						01.130.696.1	1 unit
700		1000						01.127.701.1	1 unit
700		1200						01.133.761.1	1 unit
800		600						01.130.691.1	1 unit
800		800						01.130.699.1	1 unit
800		900						01.130.700.1	1 unit
800		1000						01.127.702.1	1 unit
800		1200						01.133.762.1	1 unit



Note:
**Knürr CoolBlast®
Top-Mounting Fan**
From page 1.111