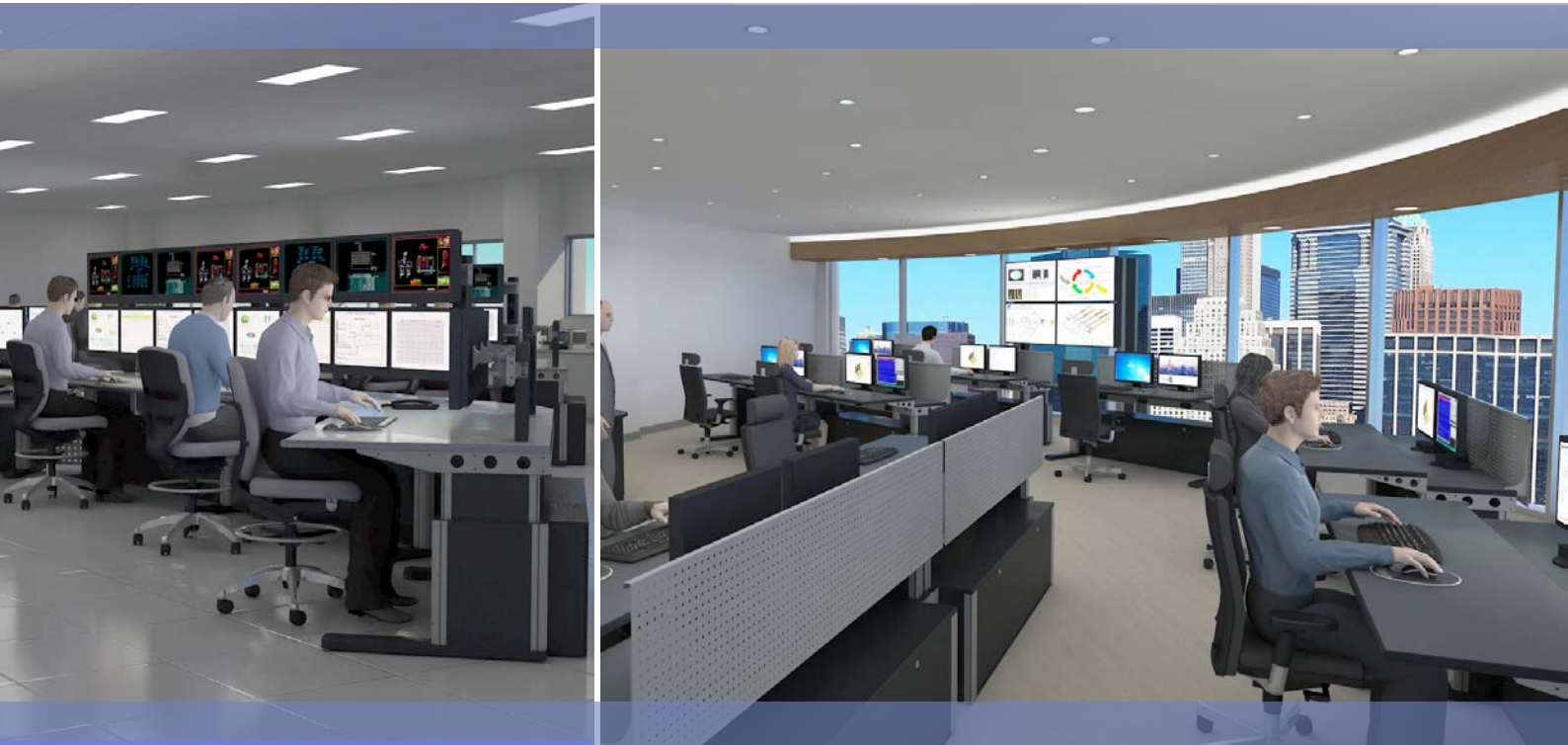


# **Knürr Technical Furniture**

*Command Workstations & Control Room Consoles*



# Knürr Technical Furniture

We are one of the largest producers of modular technical furniture for mission-critical environments and mobile equipment carriers. Our core markets are in the segments industrial process, traffic control, public safety-security-defense, communication, medical-healthcare technology, research and testing, energy and automotive.



## Knürr, your control room partner

With an experienced product management team, in-house design and solution experts, skilled craftsmen, premium product quality and staff willing to go that extra mile for the customer, Knürr develops solutions which are tailored to suit your individual needs.



# Professional room layout planning

All our designers and developers are keen to meet your individual expectations and business needs. No requirement and no given room layout is too complicated to be fixed. Our vision is to allow more effective productivity in 24/7 environments:

- Sophisticated control rooms for people
- Highly developed ergonomic desks
- Modular furniture and storage solutions
- Acoustic, lighting and ambience control
- Best possible workflow induced by design



# Solutions for PEOPLE

Our vision is to design and build unique, modular, space-efficient concepts which empower and motivate operators to work in harmony with technology. Not only due to legal requirements but also for comfort's sake the ergonomics of our products enhances safety and offers form, function, layout, workflow, lighting and acoustic.

A newly equipped control room is not only a benefit for companies' most valuable asset – the employees – an aspect which is becoming more and more critical. It will also attract the attention of the finance department: a new installation in existing control rooms does not require extensive rebuilding, thus saving time and costs.



# Command workstations & control room consoles

Modular and ergonomic  
Industrial production  
Platform-based

## Synergy 4D

### Ergonomics in 4 dimensions!

Evolution of control room console Knürr Synergy

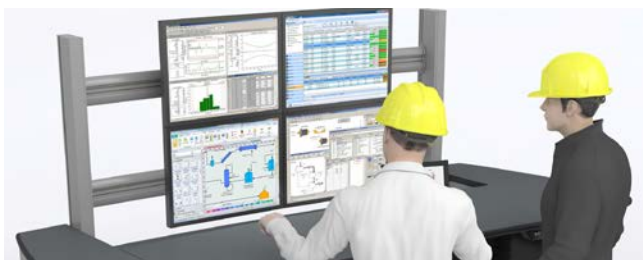
1D: electrically height adjustable console

2D: electrically depth adjustable worktop

3D: electrically adjustable monitor rail

4D: pivot functionality of displays

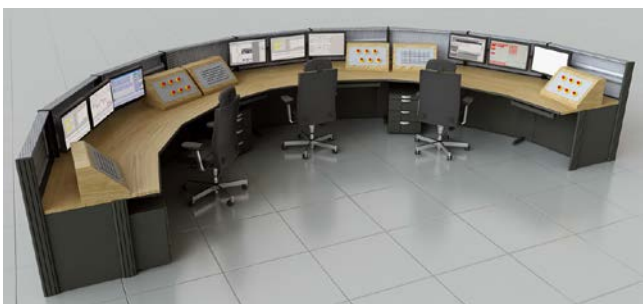
Individual viewing distance through adjustable depth of the desktop. Healthy posture through adjustable height of work surface and monitor rail. Adjustable viewing angle of the displays through the pivot functionality without additional cables, motors or switches.



## Knürr Dacobas

### The classic control room console from Knürr.

Fixed height, robust, with large space for PCs and cables. Straight or arched layouts.



## Knürr Synergy Console

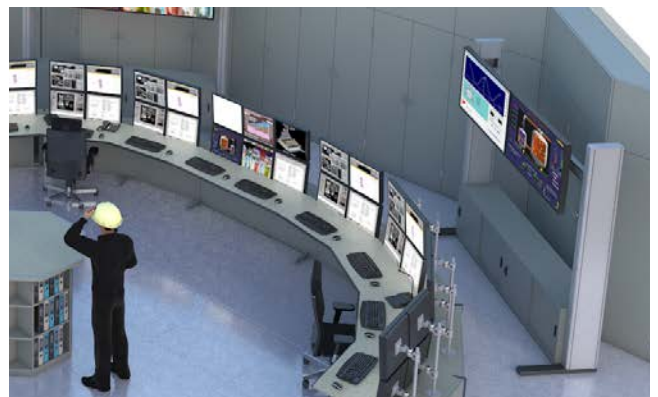
### Highly ergonomic:

- Height selectable from 650 - 850mm, or
- Electrically height adjustable (sit-stand) from 650 - 1250mm



## Knürr Synergy Wall

- Frame systems for LCD public displays
- With or without displays
- Add them to your control room layout!



## Knürr Elicon

### Vertical solution from Knürr.

Add shelves or 19" cabinets overhead, PC shelves or cable tray under desk. Spacious raceways for large cable volumes



# Synergy 4D – Ergonomics in 4 dimensions!

## Comfortable ease of use – electrically adjustable in all levels:

- Desktop height from 650mm to 1250mm
- Desktop depth adjustable from 0-150mm for best individual viewing distance
- Height adjustment of the monitor rail from 0-300mm
- Display pivot of 35°, without additional drive and switch



## Advantages of Synergy 4D:

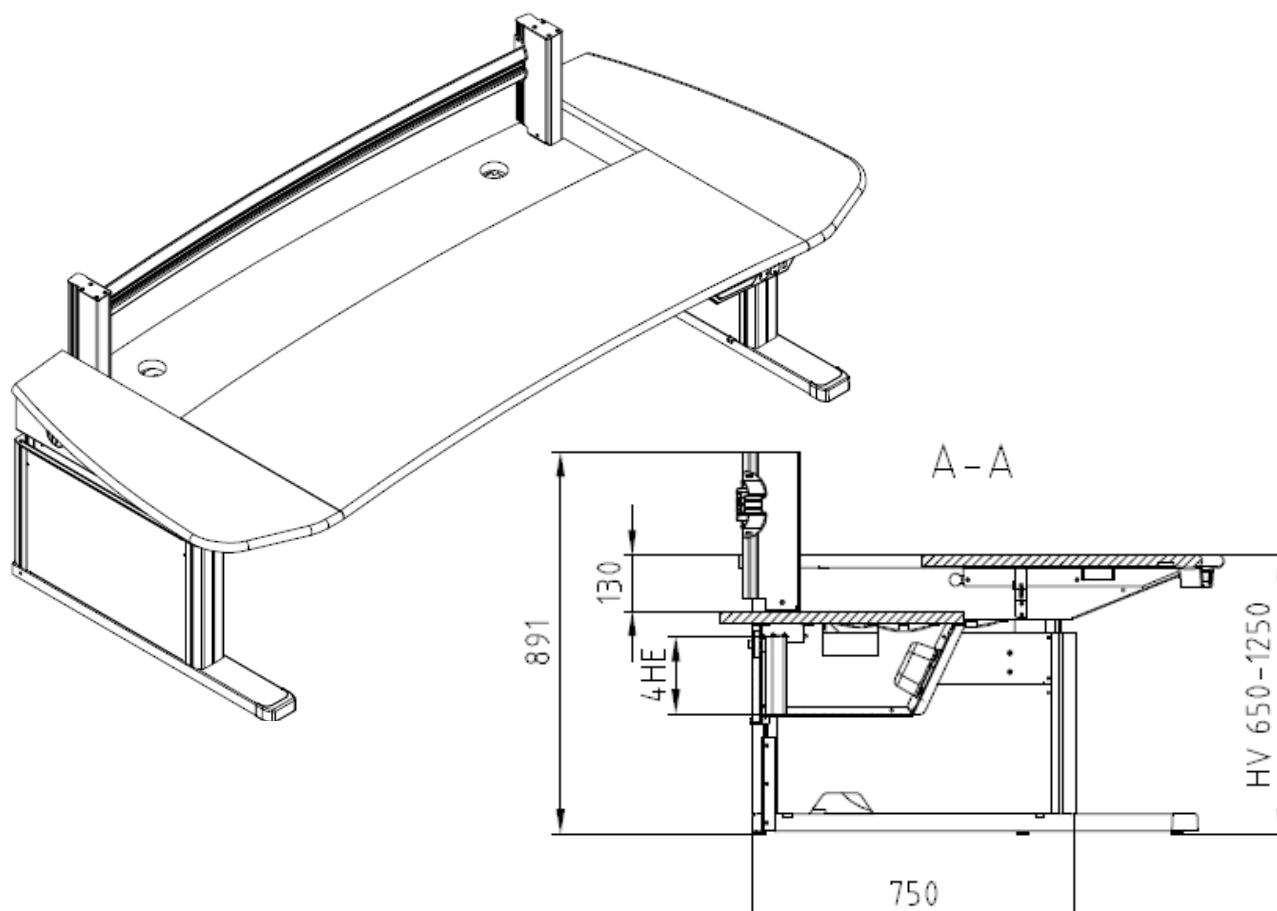
Individual viewing distance to the desktop displays with the power-operated depth adjustment of the desktop. Added safety: **monitor cabling** is not moved. **Best view** to a display wall: monitor tilt with a single button for height and angle. No additional efforts for drive and switch. **Saves energy**, maintenance-free!

Cable exits in both desk side panels and towards the rear. Spacious **technical integration**: 4HU, 19" pedestal under the monitor level offers room for cables, switches and individual devices. Short cable ways for **best signal quality!**

Cleverly hidden cable raceways, with integrated cable guiding chains in the desk side panels and cable raceway in the footrest. **Easily accessible and concealed cabling.**

Ergonomically designed desktop for ideal viewing angles to displays, with ErgoEdge\* in front for pleasant surface temperature. Ensures a long console desk service life. **More comfort**: recessed grips under front of desktop. Future-proof, **modular** and upgradeable: optional overhead lamp, technical pedestal in place of footrest or modesty panel upon request.

\*ergonomic front edge



## Synergy 4D

Synergy 4D el. adjustable console desk for 3 displays  
 Synergy 4D single display adapters with pivot function

## Order number

04.411.117.9000012  
 93.200.325.6

### Material

- Side panel vertical supports: extruded aluminum, powder-coated
- Covers, foot stabilizer, desk tray and worktop stabilizer: sheet steel, powder-coated
- Bumper caps: plastic
- Worktop: 30mm three layer particle board, FP / Y E1 version, fire protection class B2
- Worktop coating: high pressure plastic laminate
- ErgoEdge desk edge: PVC

### Finishes:

Basic frames  
 Side panel vertical extrusions, desk tray and worktop stabilizer: RAL 9006 white aluminum  
 Covers, foot stabilizer and foot caps: RAL 7021 dark gray  
 Worktop coating in basalt gray, ErgoEdge impact edge and veneer in RAL 7021 dark gray.

### Load rating

Console total: 1200N (static surface load)  
 Monitor fixture: 800N

### Console desktop dimensions

Width: 2640mm Depth: 1170mm + 150mm

### Height range console desk

650mm - 1250mm (stepless, power-operated)

### Setting range monitor level

Height: 300mm, thereof 100mm for tilting  
 Angle adjustment: 0 - 35°

### Depth adjustment of worktop

0mm -150mm (stepless, power-operated)

### Scope of supply

1 freeform desktop, depth adjustable  
 2 fixed desktop sides  
 1 desktop for monitor level  
 1 basic frame with cable raceways, depth and height adjustments  
 1 control unit for height setting mechanism  
 1 desk pedestal 19", 4HU, with 2 rear covers  
 1 footrest with cable raceway  
 Mounting material

### How supplied

Fully assembled

### Note

Accessories (see drawings)not included in supply schedule

# WE PUT SPACE TO WORK. WORLDWIDE

Emerson is based in St. Louis, Missouri (USA), and as a leading technology and development specialist provides globally innovative customer solutions to industry, business and consumer markets in the areas of network power supply, process management, industrial automation and thermal management, as well as the corresponding equipment and tools.

**Knürr Technical Furniture GmbH**

Mariakirchener Straße 38  
94424 Arnstorf • Germany  
T +49 8723 28 0  
F +49 8723 28 138  
furniture@knuerr.com

Knürr Technical Furniture manufactures and develops workstations for electronics labs and mobile equipment carriers for healthcare and automotive industries. Furthermore Knürr is the specialist for height adjustable control room workstations.

[www.emerson.com](http://www.emerson.com)

[www.technical-furniture.com](http://www.technical-furniture.com)

While every precaution has been taken to ensure accuracy and completeness in this literature, InterMetro Industries Corporation assumes no responsibility and disclaims all liability for damages resulting from use of this information or for any errors or omissions.

The Emerson Logo is a trademark and a service mark of Emerson Electric Company.  
©2012 Emerson Electric Co.

